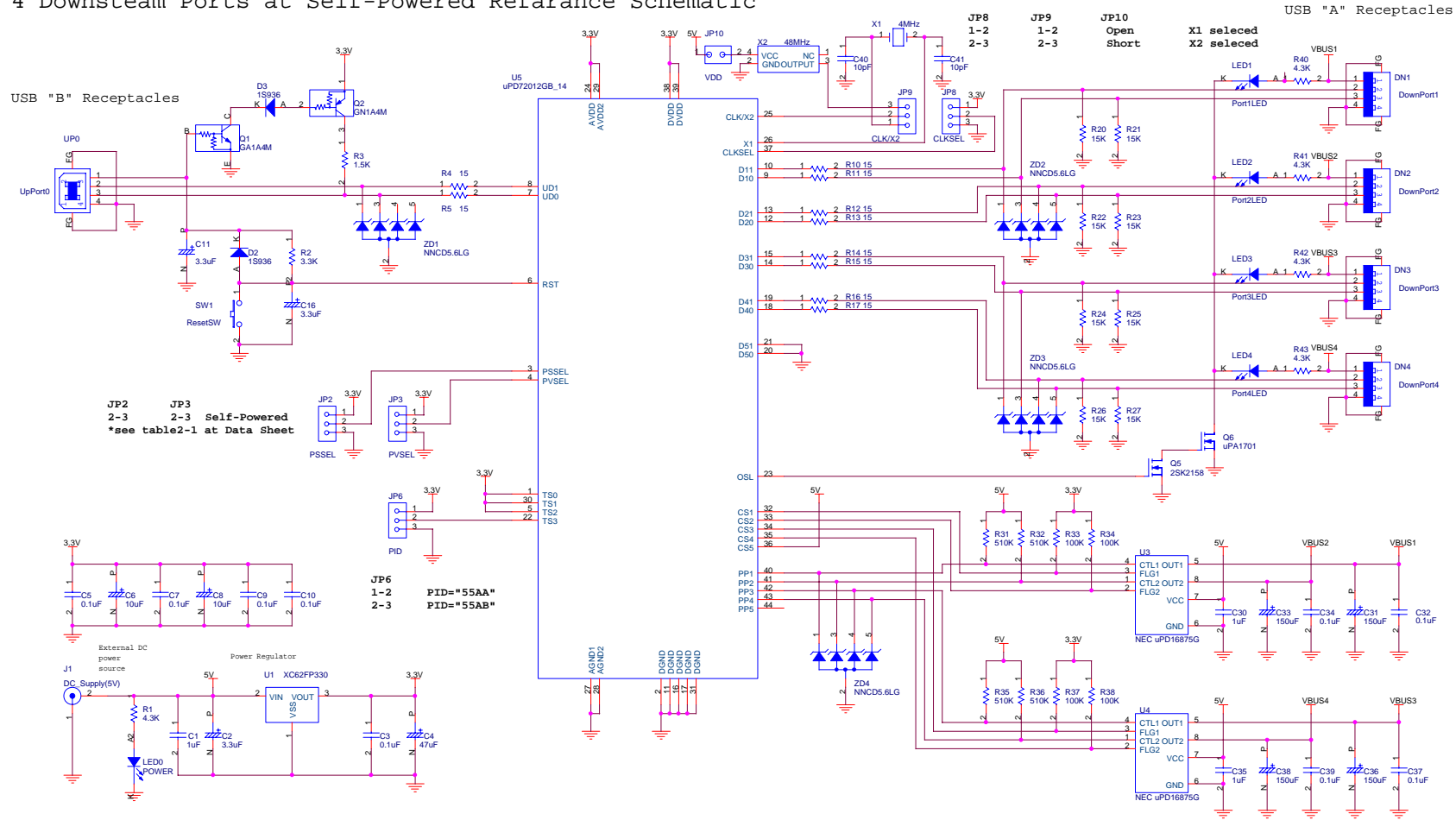


USB1.1(HUB)
4 Downstream Ports at Self-Powered Reference Schematic



*All resistors are 5% tolerance unless specified otherwise

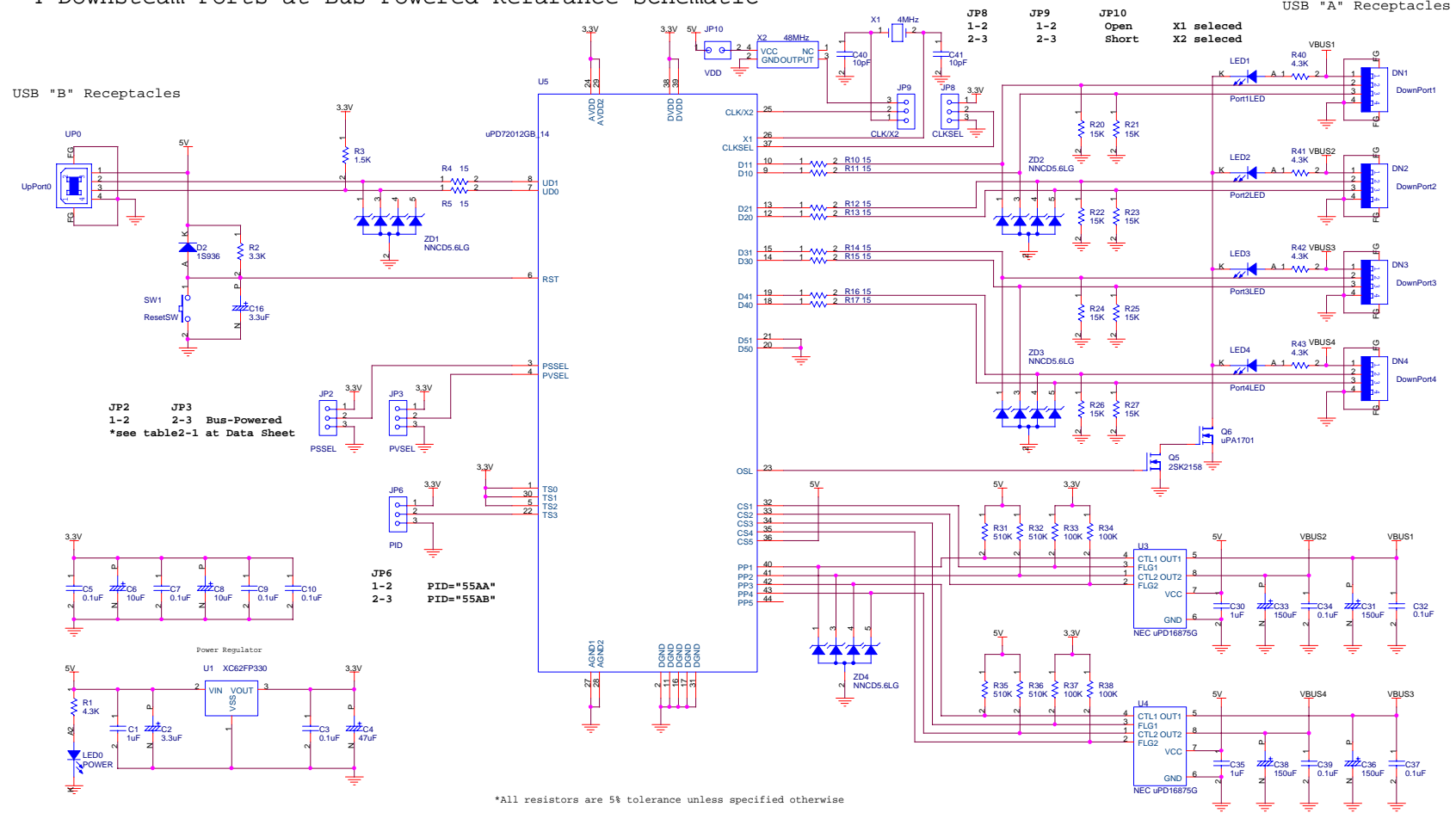
The information in this document is subject to change without notice. No part of this document may be copied or reproduced in any form or by any means without the prior written consent of NEC Corporation. NEC Corporation assumes no responsibility for any errors which may appear in this document. NEC Corporation does not assume any liability for infringement of patents, copyrights or other intellectual property rights of third parties or arising from use of a device described herein or any other liability arising from use of such device. No license, either express, implied or otherwise, is granted under any patents, copyrights or other intellectual property rights of NEC Corporation or others.

NEC Electron Devices

1753, Shimonumabe, Nakahara-Ku,
Kawasaki, Kanagawa 211-8666,
JAPAN

Title		uPD72012GB Reference Schematic	
Size	Document Number	Rev	
C	SBB-Z-3181-1	1.3	
Date:	Tuesday, March 05, 2002	Sheet	1 of 1

USB1.1 (HUB)
4 Downstream Ports at Bus-Powered Reference Schematic



JP2 JP3
1-2 2-3 Bus-Powered
*see table2-1 at Data Sheet

JP6
1-2 PID="55AA"
2-3 PID="55AB"

*All resistors are 5% tolerance unless specified otherwise

The information in this document is subject to change without notice. No part of this document may be copied or reproduced in any form or by any means without the prior written consent of NEC Corporation. NEC Corporation assumes no responsibility for any errors which may appear in this document. NEC Corporation does not assume any liability for infringement of patents, copyrights or other intellectual property rights of third parties by or arising from use of a device described herein or any other liability arising from use of such device. No license, either express, implied or otherwise, is granted under any patents, copyrights or other intellectual property rights of NEC Corporation or others.