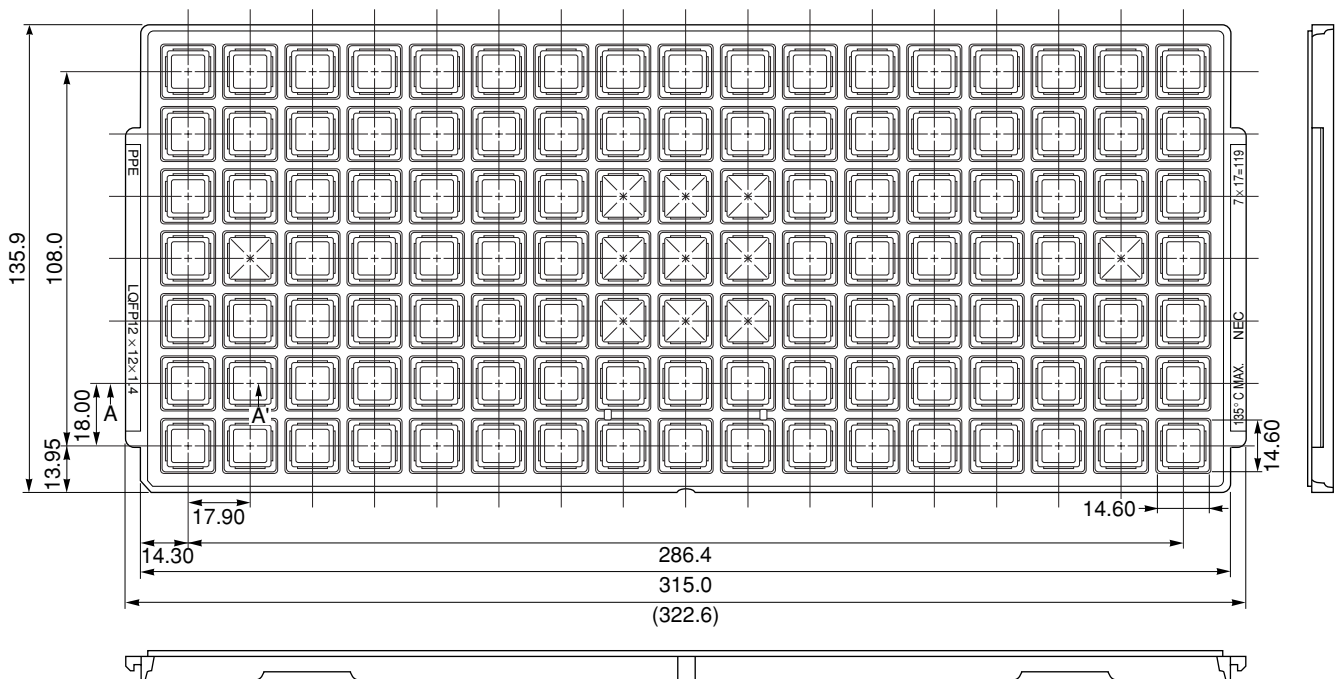
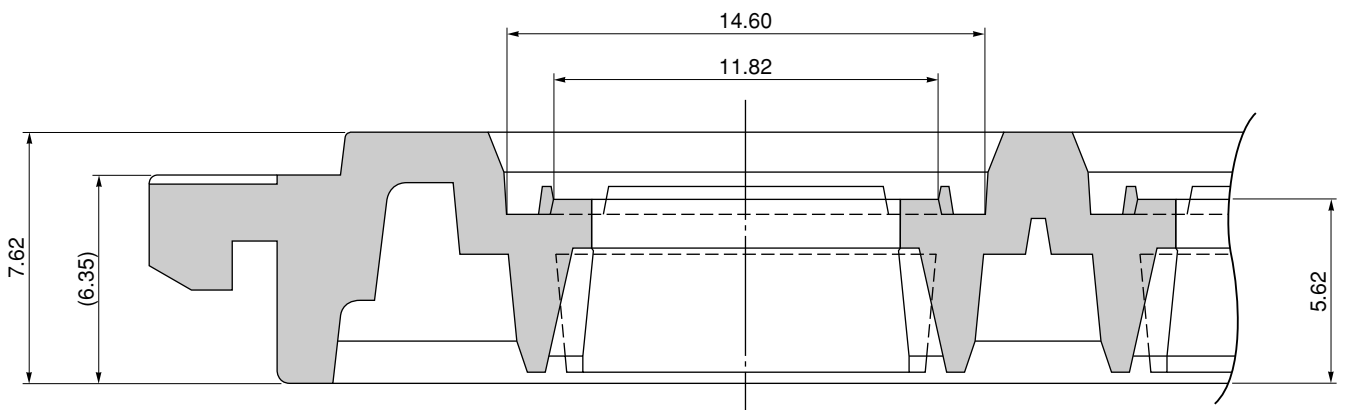


TRAY CONTAINER

UNIT : mm



<SECTION A-A'>



Applied Package	Quantity (pcs)	Tray	LQFP 12x12x1.4
64-pin Plastic LQFP (1.4mm thick)	119 MAX.	Material	Carbon PPE
80-pin Plastic LQFP (Fine Pitch)(1.4mm thick)		Heat Proof Temp.	135°C MAX.
		Surface resistance	less than $1 \times 10^{12} \Omega / \square$

The tolerance of tray's dimensions are based on JEDEC STANDARD.

SSD-A-H7503

© NEC Electronics Corporation 2007