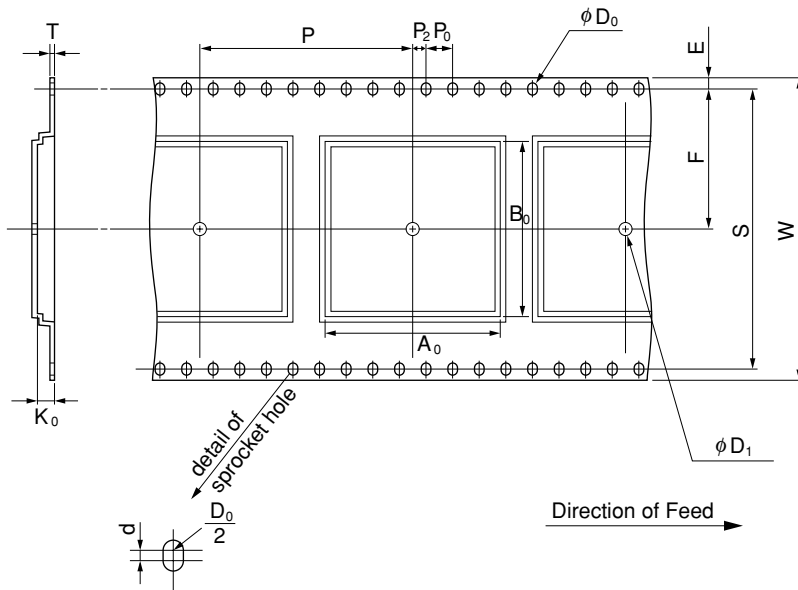


EMBOSSED TAPE CONTAINER

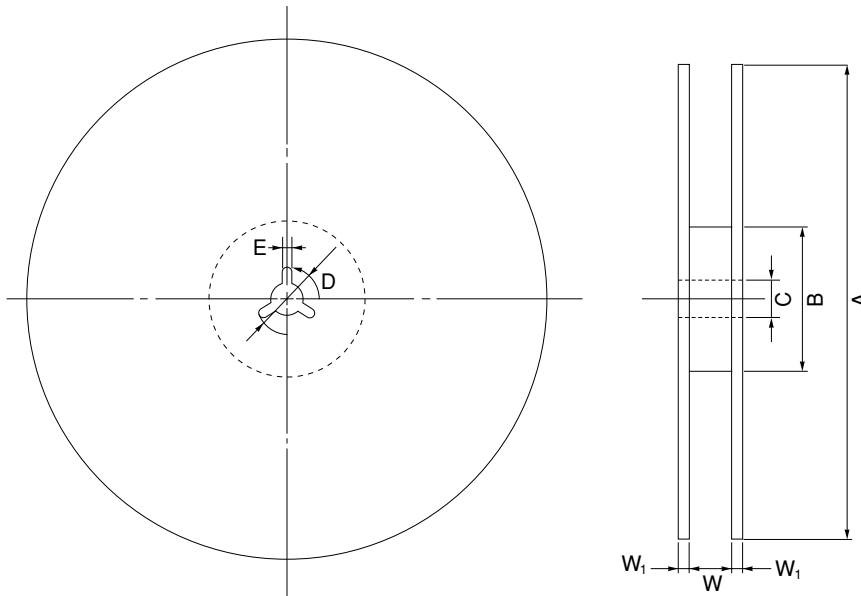
Tape Dimensions



(Unit : mm)

Symbol	Specification
A ₀	27.3
B ₀	27.3
K ₀	2.75
W	44.0±0.3
F	20.2±0.1
E	1.75±0.1
P	32.0±0.1
P ₂	2.0±0.1
P ₀	4.0±0.1
D ₀	1.5 ^{+0.1} ₀
T	0.3
D ₁	2.0 MIN.
S	40.4±0.1
d	0.20±0.05

Reel Dimensions



(Unit : mm)

Symbol	Specification
A	φ330±2.0
B	φ150
C	φ13.0±0.2
D	φ21.0±0.8
E	2.0±0.5
W	45.5
W ₁	2.0±0.5

Applied Package	Quantity (pcs)
225-pin · Plastic BGA (□27) (1.53mm thick)	MAX. 400
256-pin · Plastic BGA (□27) (1.53mm thick)	
320-pin · Plastic BGA (□27) (1.53mm thick)	