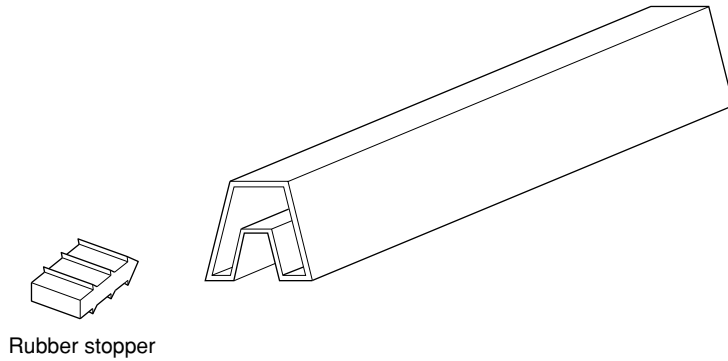
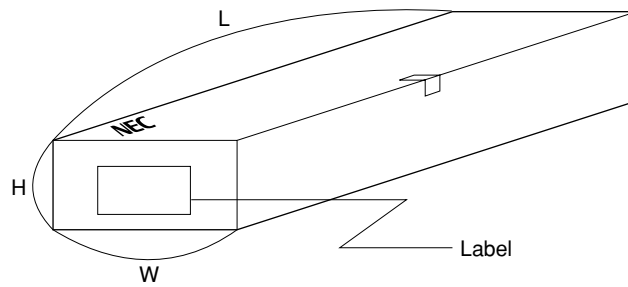


TUBE PACKING

1. CONTAINER



2. INNER BOX



LABEL POSITION	TOP OR SIDE OF BOX
LABEL	PRODUCT NAME, QUANTITY, LOT NUMBER, CLASS

CONTAINER			INNER BOX		
Applied Package	Tube	Quantity (pcs) /Tube	Dimension (mm) (W × H × L)	Quantity (pcs) /Box	Note
24-pin Plastic DIP	MD600-1A or MD600-2A	MAX. 14	163 × 135 × 532	MAX. 630	Packed in PE bag
28-pin Plastic DIP		MAX. 12		MAX. 540	
42-pin Plastic DIP		MAX. 8		MAX. 360	
42-pin Plastic Shrink DIP		MAX. 12		MAX. 540	
48-pin Plastic Shrink DIP		MAX. 10		MAX. 450	
42-pin Ceramic Shrink DIP (brazed lead)		MAX. 10		MAX. 450	
48-pin Ceramic Shrink DIP (brazed lead)		MAX. 10		MAX. 450	