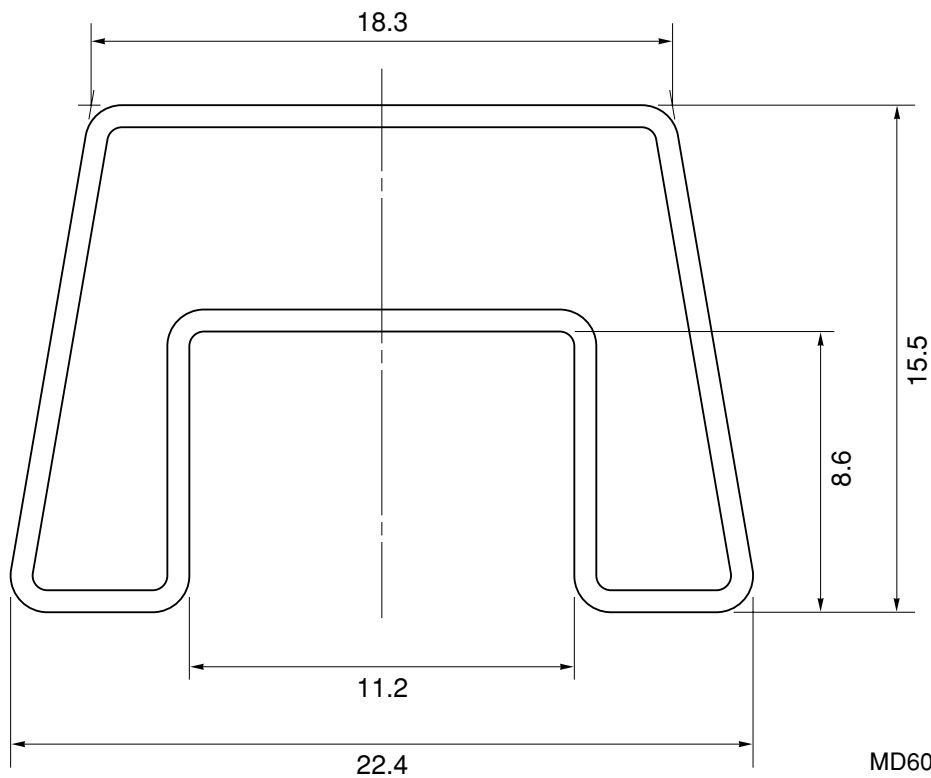


# TUBE CONTAINER

UNIT : mm



MD600-1A  
MD600-2A

Length :  $501 \pm 2.0$

Thickness :  $0.7^{+0.3}_{-0.2}$

Tolerance :  $\pm 0.4$

Material : Plastic (With Antistatic Finish)

Applied Package	Quantity(pcs)
24-Pin Plastic DIP	MAX. 14
28-Pin Plastic DIP	MAX. 12
42-Pin Plastic DIP	MAX. 8
42-Pin Plastic Shrink DIP	MAX. 12
48-Pin Plastic Shrink DIP	MAX. 10
42-Pin Ceramic Shrink DIP (brazed lead)	MAX. 10
48-Pin Ceramic Shrink DIP (brazed lead)	MAX. 10