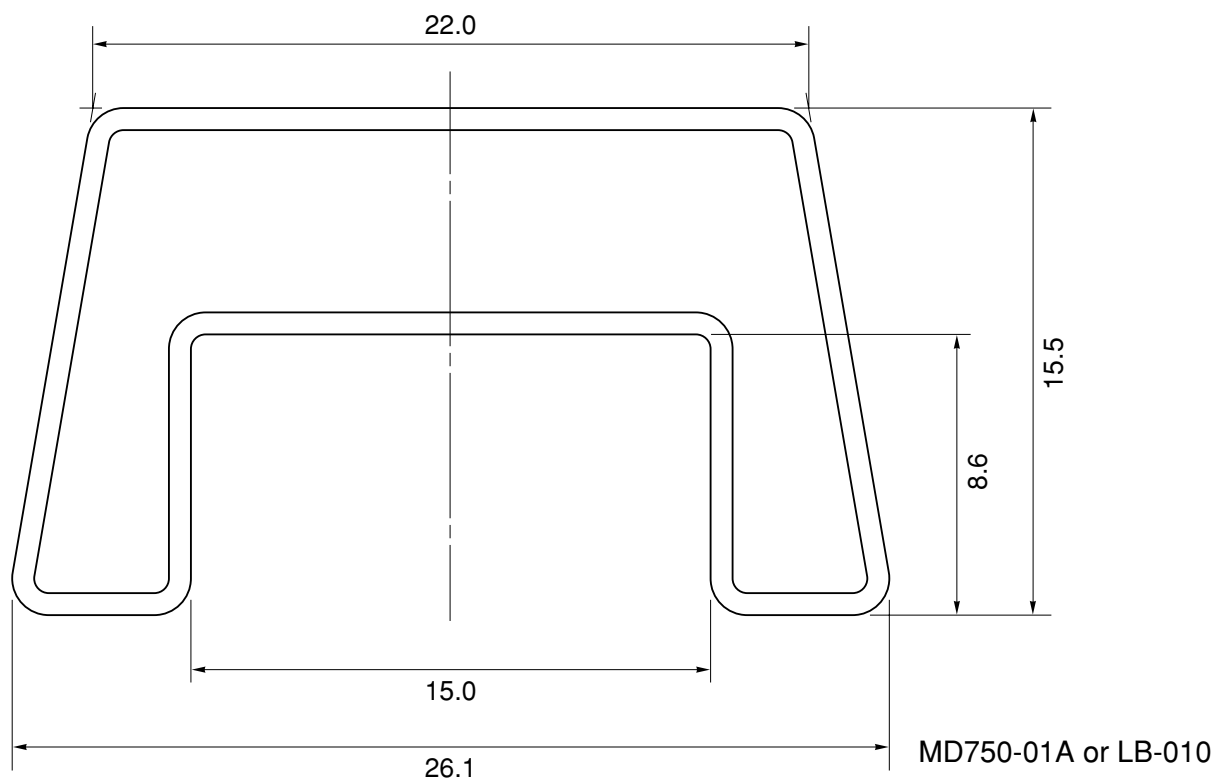


TUBE CONTAINER

UNIT : mm



length : 495 ± 2.0
 thickness : $0.7^{+0.3}_{-0.2}$
 tolerance : ± 0.4
 material : plastic (with antistatic finish)

Applied Package	Quantity (pcs)
64-pin · plastic · shrink DIP	MAX. 8
64-pin · ceramic · shrink DIP (cerdip) (window)	MAX. 8