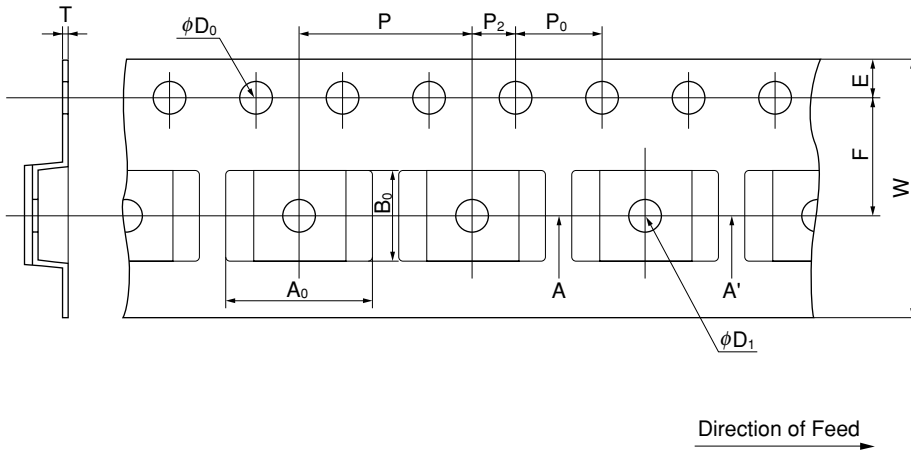


EMBOSSED TAPE CONTAINER

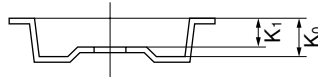
Tape Dimensions

(Unit : mm)



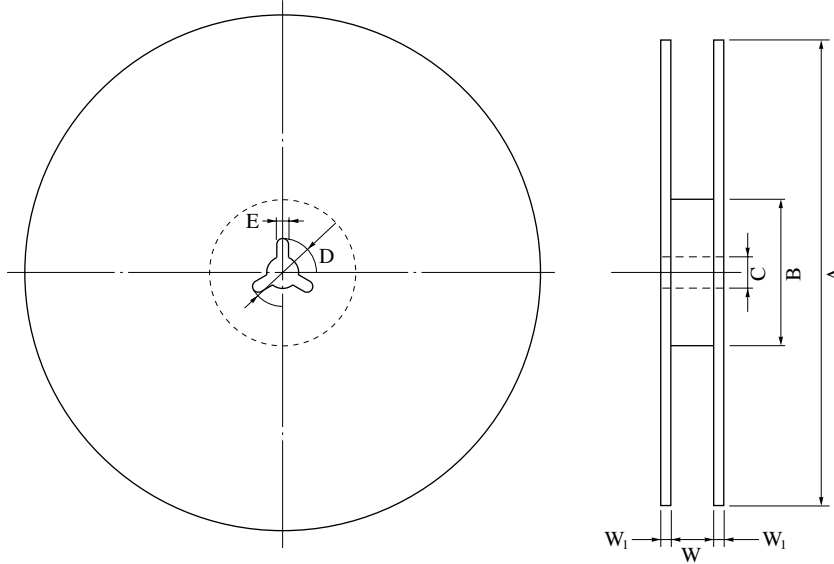
Symbol	Specification
A ₀	6.8
B ₀	4.2
K ₀	1.8
K ₁	1.4
W	12.0±0.3
F	5.5±0.1
E	1.75±0.1
P	8.0±0.1
P ₂	2.0±0.1
P ₀	4.0±0.1
D ₀	1.5 ^{+0.1} ₋₀
T	0.3
D ₁	1.6 MIN.

<SECTION A-A'>



Reel Dimensions

(Unit : mm)



Symbol	Specification
A	φ330±2.0
B	φ100
C	φ13.0±0.2
D	φ21.0±0.8
E	2.0±0.5
W	13.5
W ₁	2.0±0.5

Applied Package	Quantity (pcs)
10-pin Plastic SSOP (5.72 mm (225))	2,500 MAX.