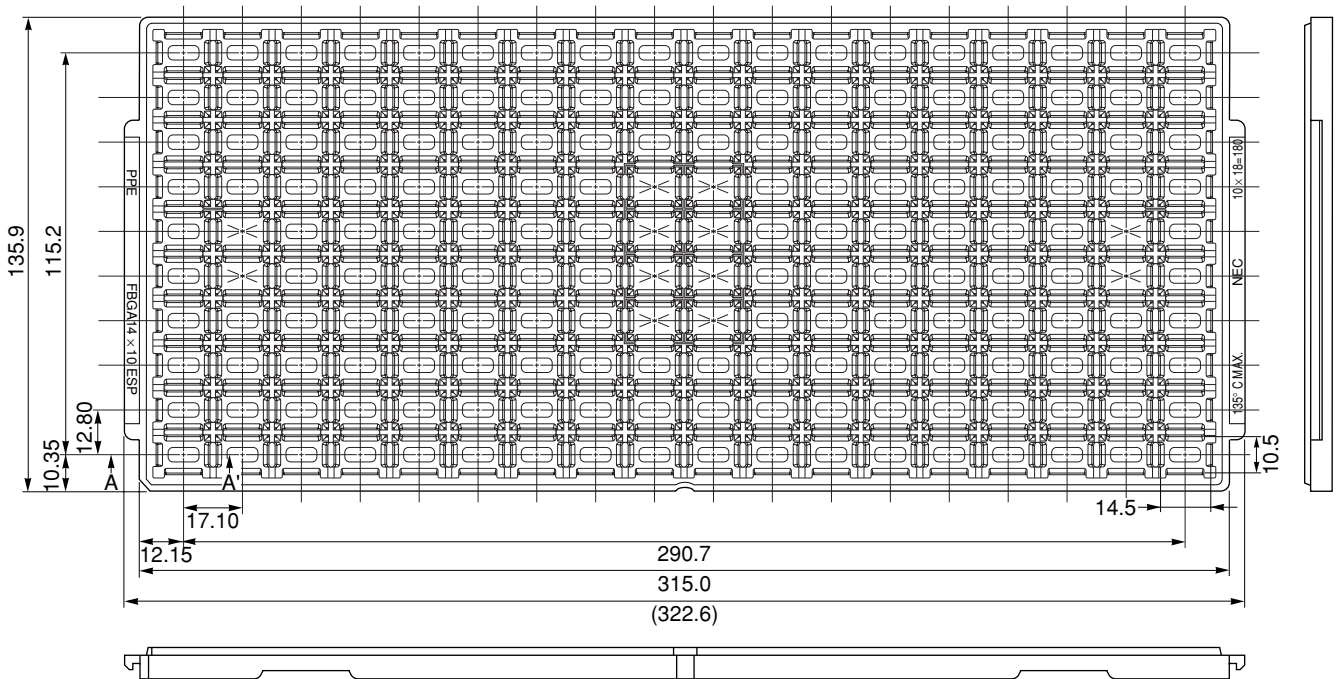
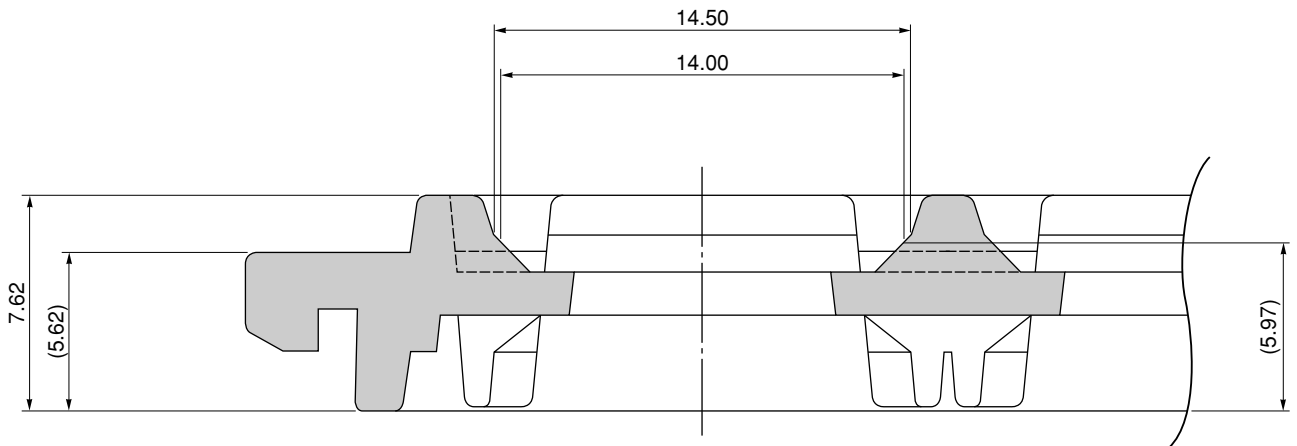


TRAY CONTAINER

UNIT : mm



<SECTION A-A'>



Applied Package	Quantity (pcs)
117-pin Plastic BGA (14×10)	180 MAX.

Tray	FBGA14×10 ESP
Material	Carbon PPE
Heat Proof Temp.	135°C MAX.
Surface resistance	less than $1 \times 10^{12} \Omega / \square$

The tolerance of tray's dimensions are based on JEDEC STANDARD.

SSD-A-H7531

© NEC Electronics Corporation 2007