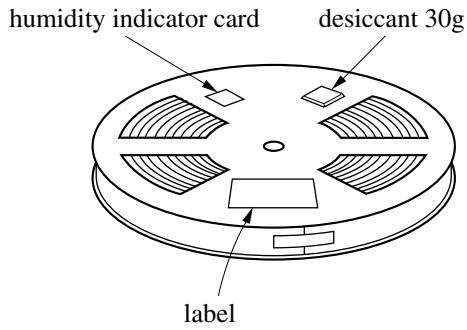
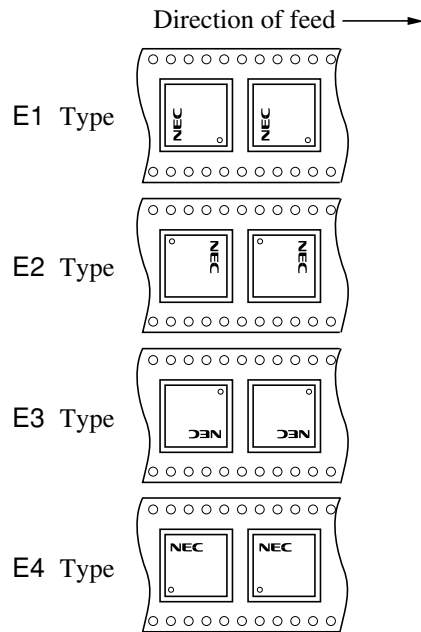


EMBOSSED TAPE PACKING

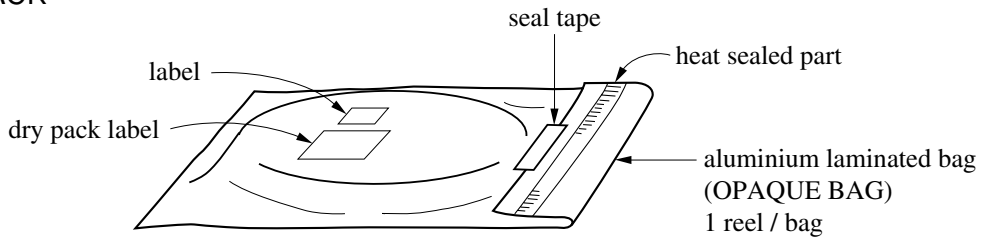
1. CONTAINER



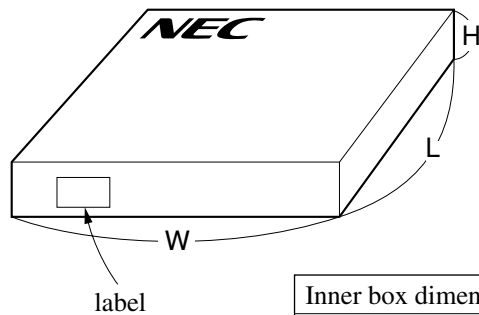
MOUNTING DIRECTION



2. DRY PACK



3. INNER BOX



Inner box dimension	W × L × H : 340 × 340 × 65 (mm)
Quantity (reel)	1
Label position	Side of box
Label	Product name, Quantity, Lot number, Class