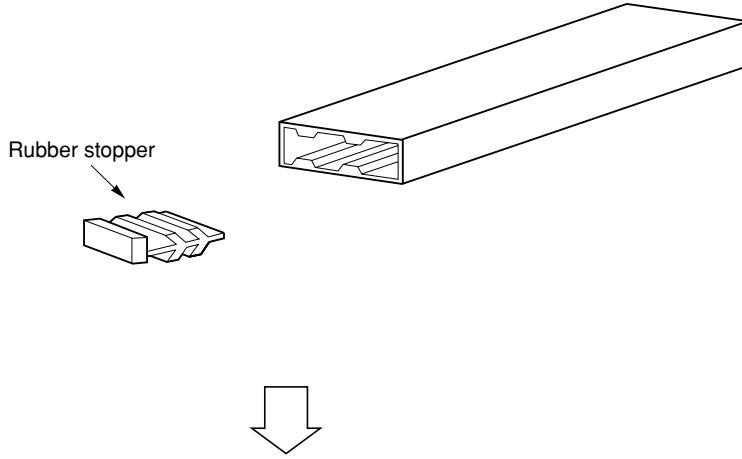
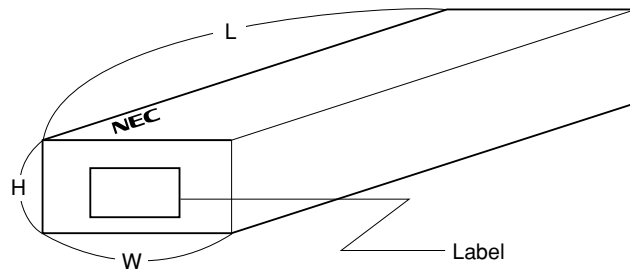


TUBE PACKING

1. CONTAINER



2. INNER BOX



LABEL	PRODUCT NAME, QUANTITY, LOT NUMBER, CLASS
-------	---

CONTAINER			INNER BOX	
Applied Package	Tube	Quantity (pcs)	Dimension (mm) (W×H×L)	Quantity (Tube)
30-pin Plastic Shrink SOP	MM300-04A	40 MAX.	75×19×530	20 MAX.
38-pin Plastic Shrink SOP				