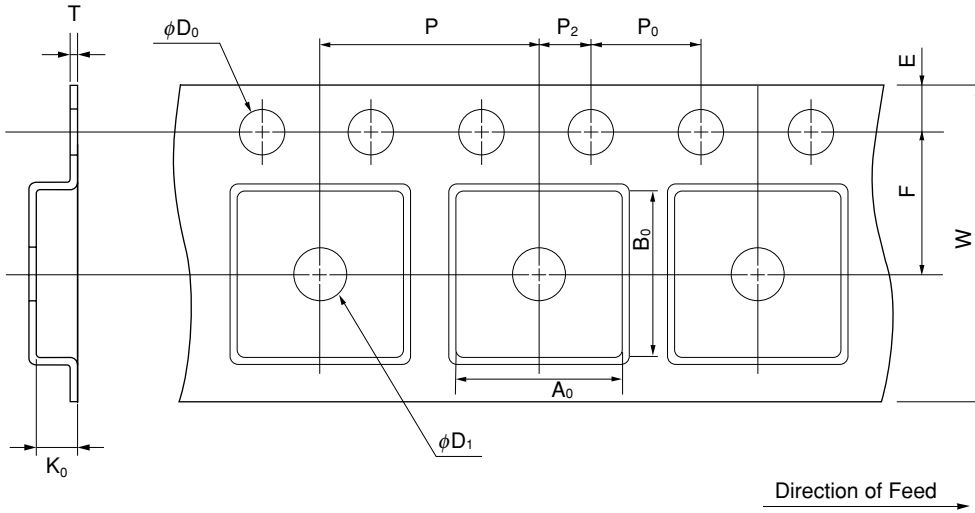


# EMBOSSED TAPE CONTAINER

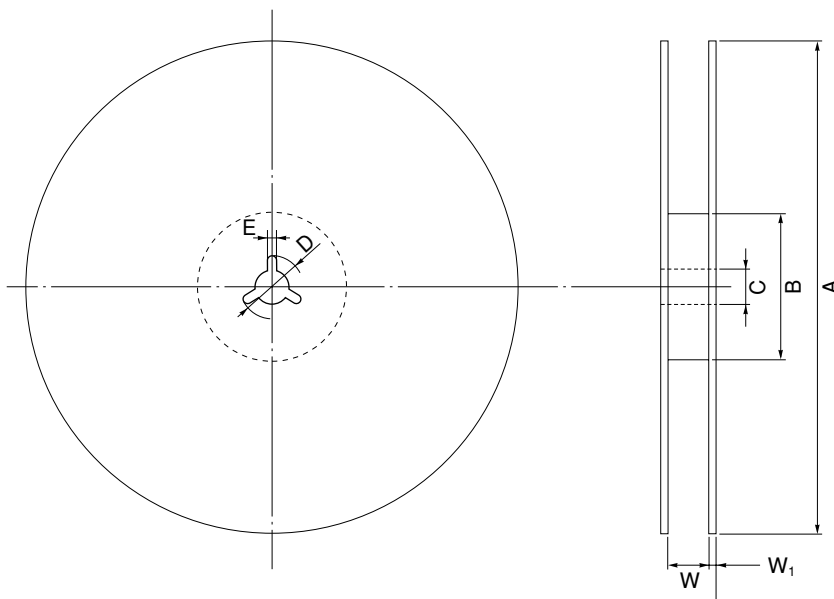
## Tape Dimensions



(UNIT : mm)

Symbol	Specification
$A_0$	6.5
$B_0$	6.5
$K_0$	1.3
$W$	$12.0 \pm 0.3$
$F$	$5.5 \pm 0.1$
$E$	$1.75 \pm 0.1$
$P$	$8.0 \pm 0.1$
$P_2$	$2.0 \pm 0.1$
$P_0$	$4.0 \pm 0.1$
$D_0$	$\phi 1.5 \begin{smallmatrix} +0.1 \\ 0 \end{smallmatrix}$
$T$	0.3
$D_1$	$\phi 1.5$ MIN.

## Reel Dimensions



(UNIT : mm)

Symbol	Specification
$A$	$\phi 180 \pm 2.0$
$B$	$\phi 60$
$C$	$\phi 13.0 \pm 0.2$
$D$	$\phi 21.0 \pm 0.8$
$E$	$2.0 \pm 0.5$
$W$	13.0
$W_1$	$17.0 \pm 1.4$

Applied Package	Quantity (pcs)
48-pin QFN(6×6)	1000 MAX.