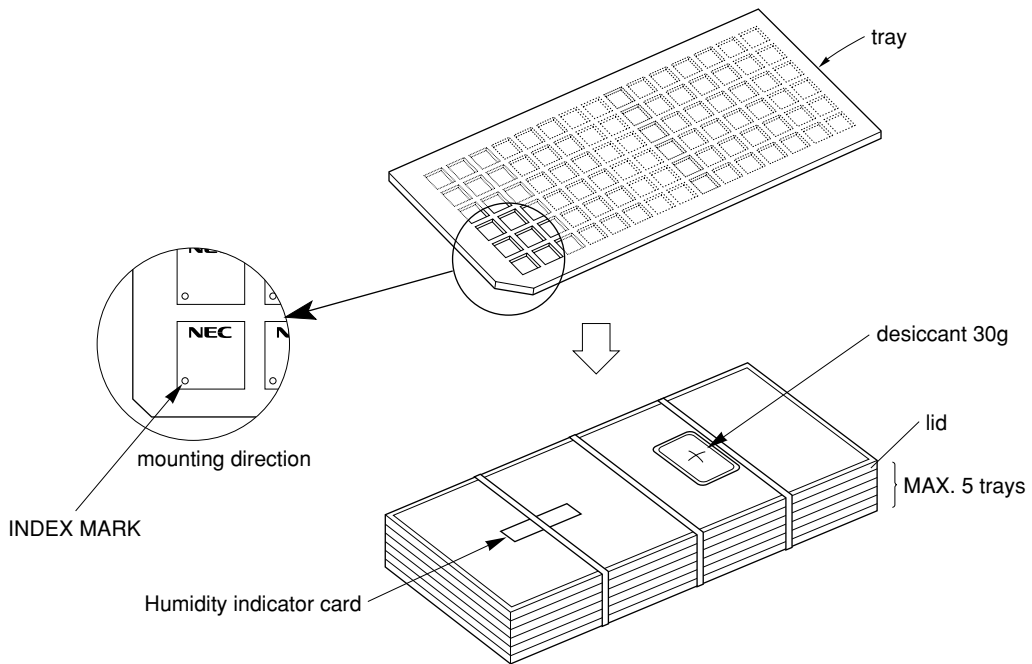
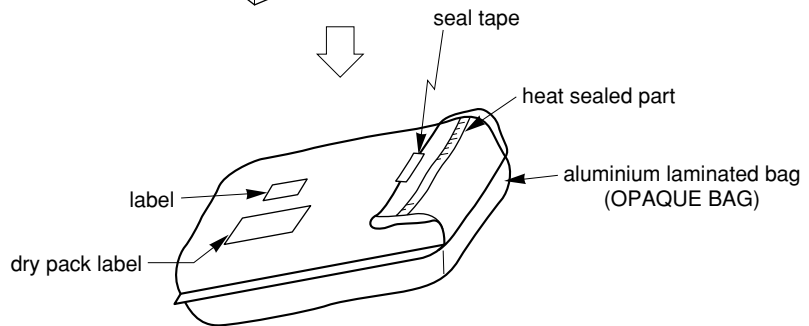


TRAY PACKING

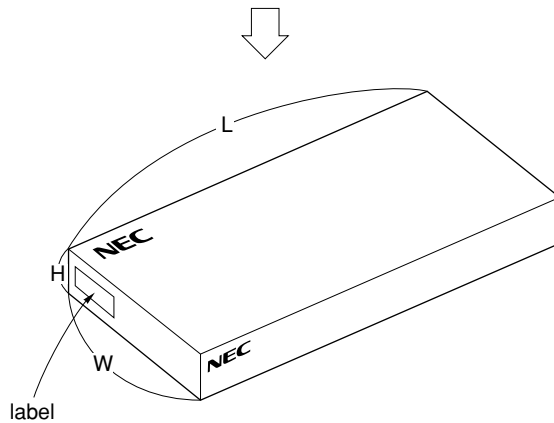
1. CONTAINER



2. DRY PACK



3. INNER BOX



LABEL POSITION	SIDE OF BOX
LABEL	PRODUCT NAME, QUANTITY, LOT NUMBER, CLASS
INNER BOX	DIMENSION (W × L × H) 175 × 375 × 75 (mm)