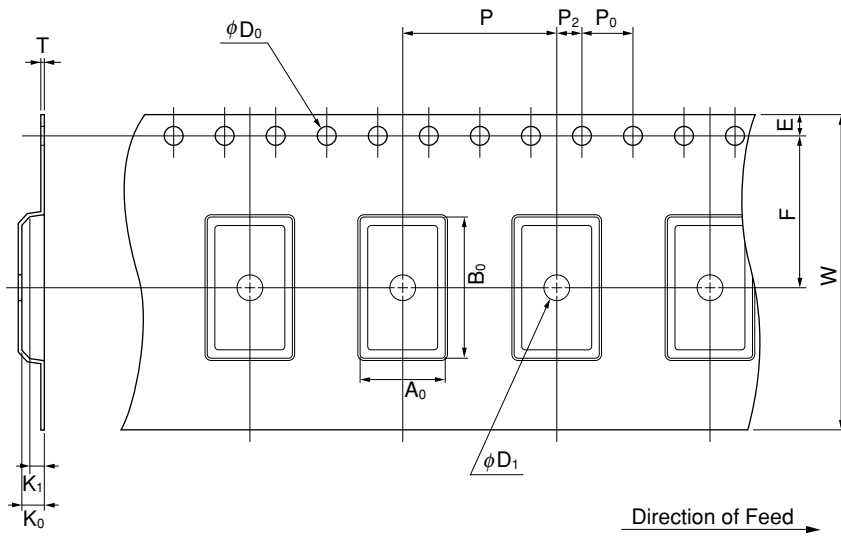


EMBOSSED TAPE CONTAINER

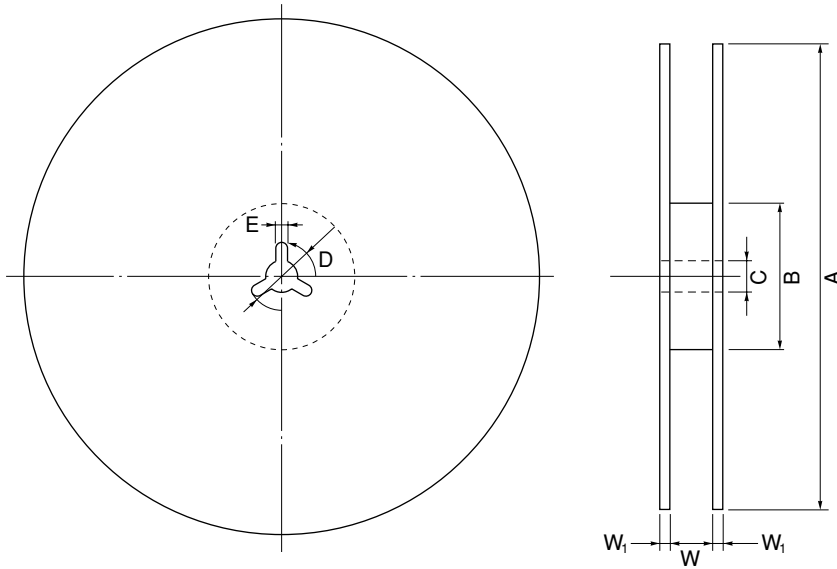
Tape Dimensions



(Unit : mm)

Symbol	Specification
A_0	6.7
B_0	10.7
K_0	1.75
K_1	1.2
W	24.0 ± 0.3
F	11.5 ± 0.1
E	1.75 ± 0.1
P	12.0 ± 0.1
P_2	2.0 ± 0.1
P_0	4.0 ± 0.1
D_0	$1.5^{+0.1}_{-0}$
T	0.3
D_1	2.0 MIN.

Reel Dimensions



(Unit : mm)

Symbol	Specification
A	$\phi 254 \pm 2.0$
B	$\phi 100$
C	$\phi 13.0 \pm 0.2$
D	$\phi 21.0 \pm 0.8$
E	2.0 ± 0.5
W	25.5
W_1	2.0 ± 0.5

Applied Package	Quantity (pcs)
36-pin Plastic FBGA (6.5×10.5)	MAX. 1,500