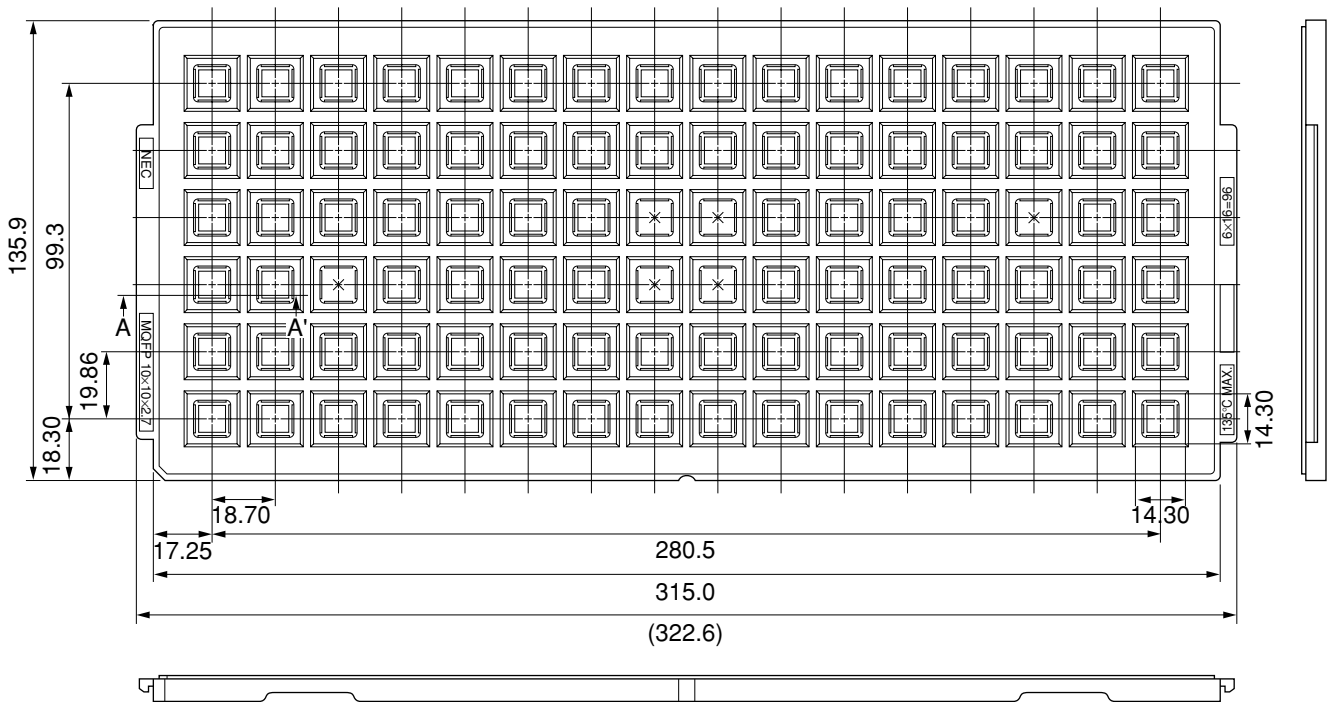
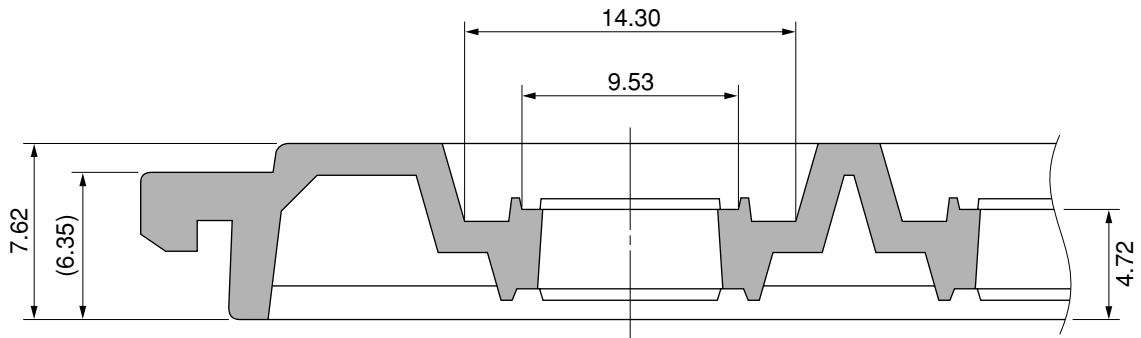


# TRAY CONTAINER

UNIT : mm



## <SECTION A-A>



Applied Package	Quantity (pcs)
44-pin · Plastic QFP (2.7mm thick)	MAX. 96
56-pin · Plastic QFP (2.7mm thick)	

Tray	MQFP 10×10×2.7
Material	Carbon PPE
Heat Proof Temp.	135°C
Surface resistance	less than $1 \times 10^{12} \Omega / \square$

The tolerance of tray's dimensions are based on JEDEC STANDARD.