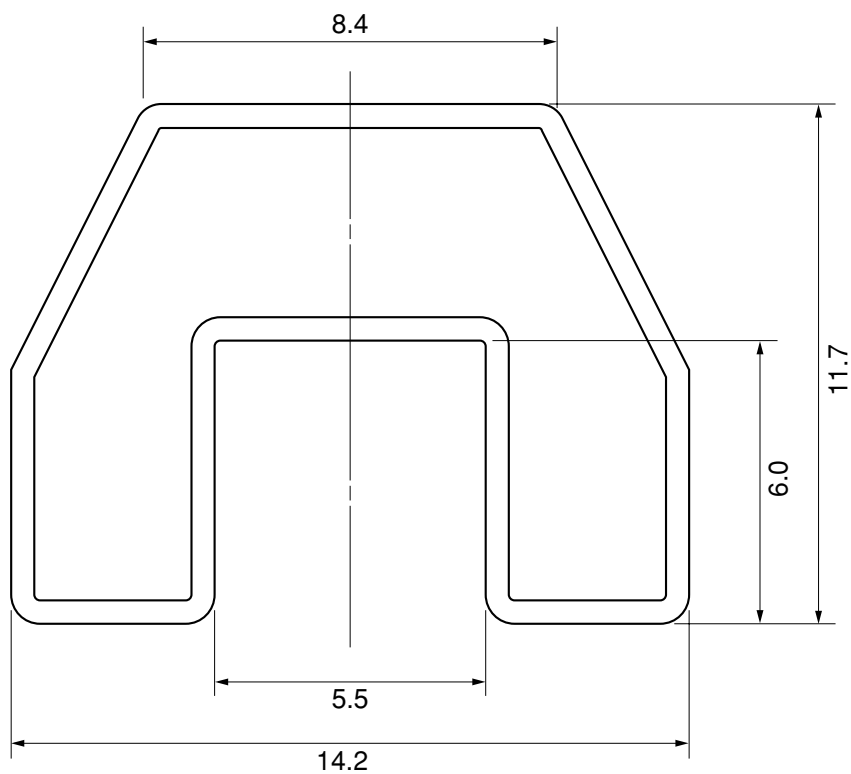


TUBE CONTAINER

UNIT : mm



MD300-1A

length : 500 ± 2.0

thickness : $0.5^{+0.2}_{-0.1}$

tolerance : ± 0.4

material : plastic (with antistatic finish)

Applied Package	Quantity (pcs)
8-pin · Plastic DIP with TAB	MAX. 30