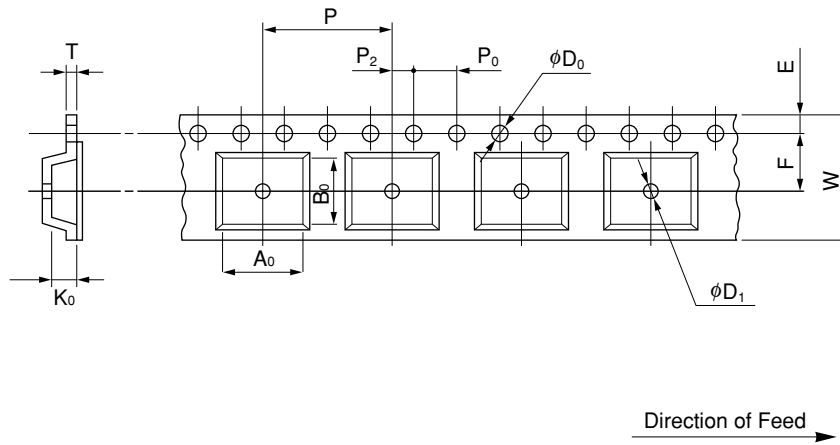


# EMBOSSED TAPE CONTAINER

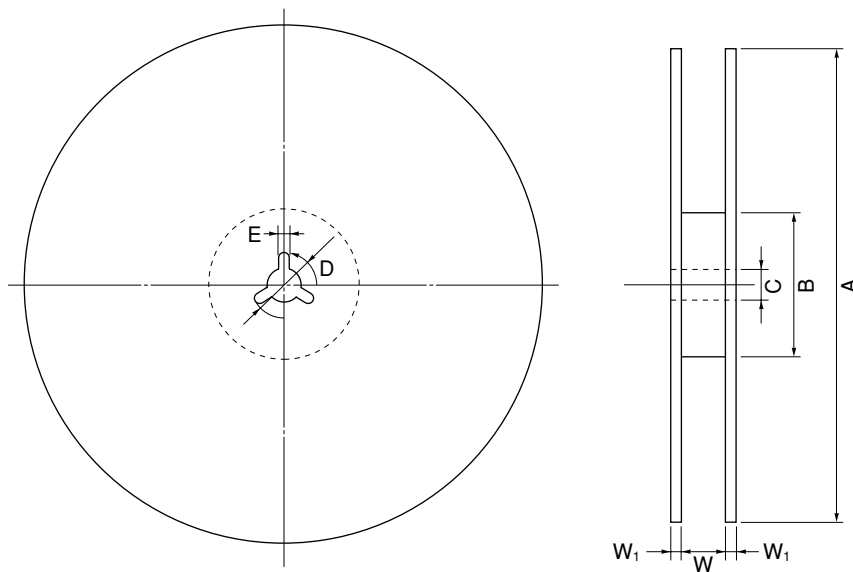
## Tape Dimensions



(Unit :mm)

Symbol	Specification
A <sub>0</sub>	8.3
B <sub>0</sub>	6.9
K <sub>0</sub>	2.0
W	12.0±0.3
F	5.5±0.1
E	1.75±0.1
P	12.0±0.1
P <sub>2</sub>	2.0±0.1
P <sub>0</sub>	4.0±0.1
D <sub>0</sub>	1.5 <sup>+0.1</sup> <sub>0</sub>
T	0.3
D <sub>1</sub>	1.5 MIN.

## Reel Dimensions



(Unit :mm)

Symbol	Specification
A	φ330±2.0
B	φ100
C	φ13.0±0.2
D	φ21.0±0.8
E	2.0±0.5
W	13.5
W <sub>1</sub>	2.0±0.5

Applied Package	Quantity (pcs)
8-pin · Plastic SOP (7.62 mm (300))	MAX. 2,500