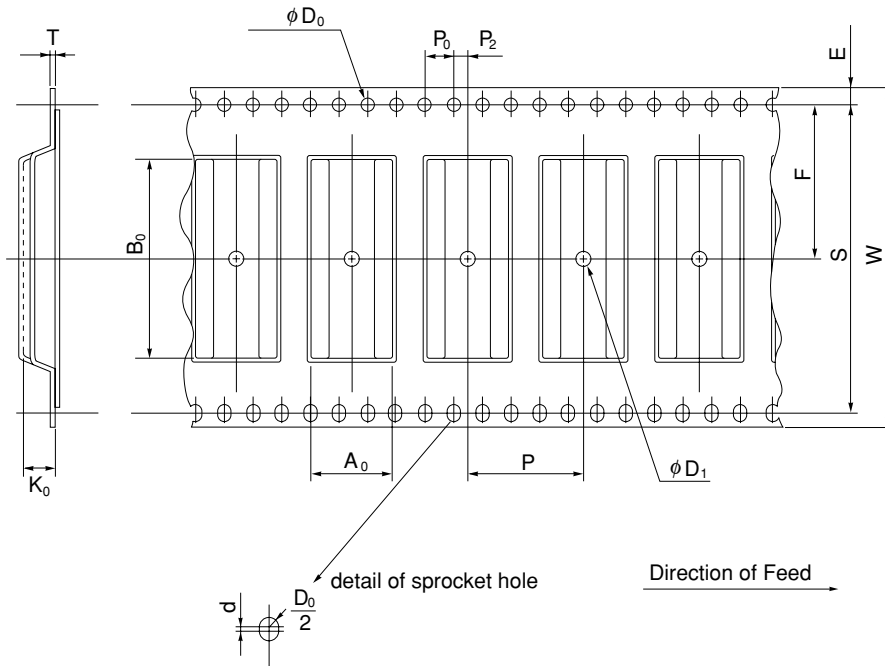


EMBOSSED TAPE CONTAINER

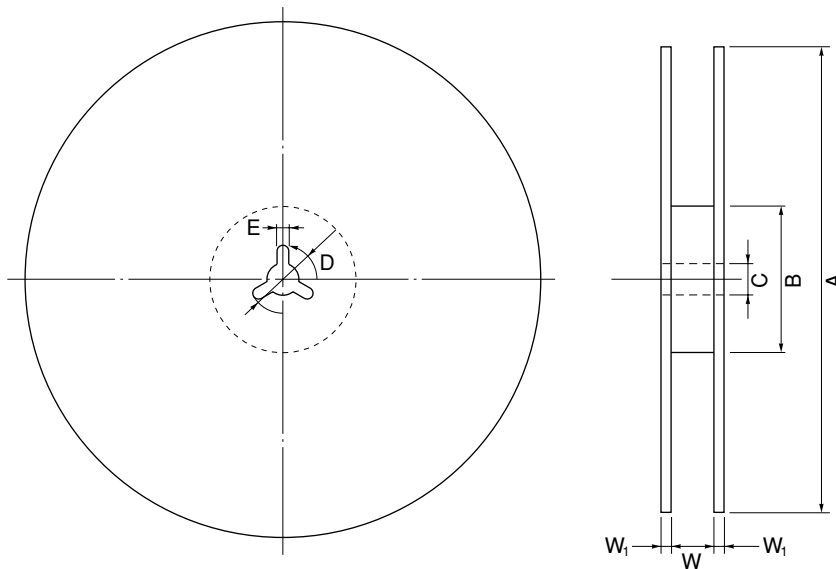
Tape Dimensions



(unit : mm)

| Symbol | Specification |
|--------|----------------|
| A_0 | 11.6 |
| B_0 | 24.0 |
| K_0 | 4.3 |
| W | 44.0 ± 0.3 |
| F | 20.2 ± 0.1 |
| E | 1.75 ± 0.1 |
| P | 16.0 ± 0.1 |
| P_2 | 2.0 ± 0.1 |
| P_0 | 4.0 ± 0.1 |
| D_0 | 1.5 ± 0.1 |
| T | 0.3 |
| D_1 | 2.0 MIN. |
| S | 40.4 ± 0.1 |
| d | 0.2 ± 0.05 |

Reel Dimensions



(unit : mm)

| Symbol | Specification |
|--------|---------------------|
| A | $\phi 330 \pm 2.0$ |
| B | $\phi 100$ |
| C | $\phi 13.0 \pm 0.2$ |
| D | $\phi 21.0 \pm 0.8$ |
| E | 2.0 ± 0.5 |
| W | 45.5 |
| W_1 | 2.0 ± 0.5 |

| Applied Package | Quantity (pcs) |
|------------------------------------|----------------|
| 36-pin Plastic SOJ (10.16mm (400)) | MAX. 1000 |