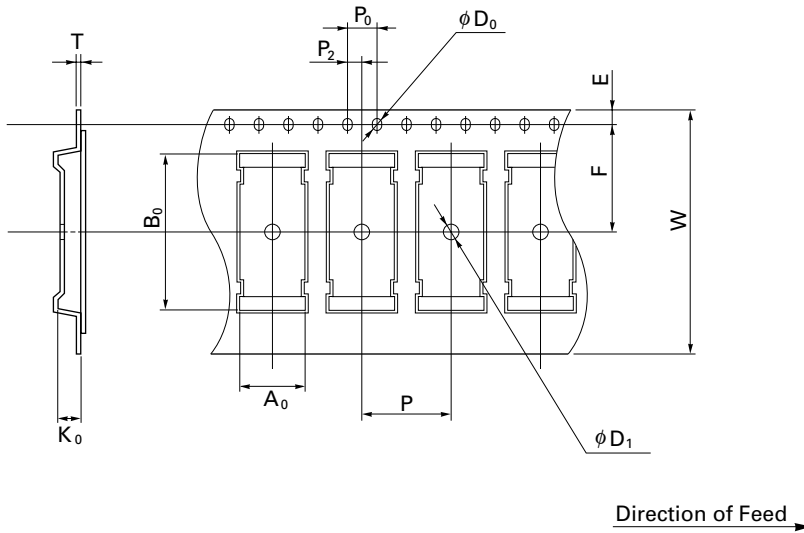


EMBOSSED TAPE CONTAINER

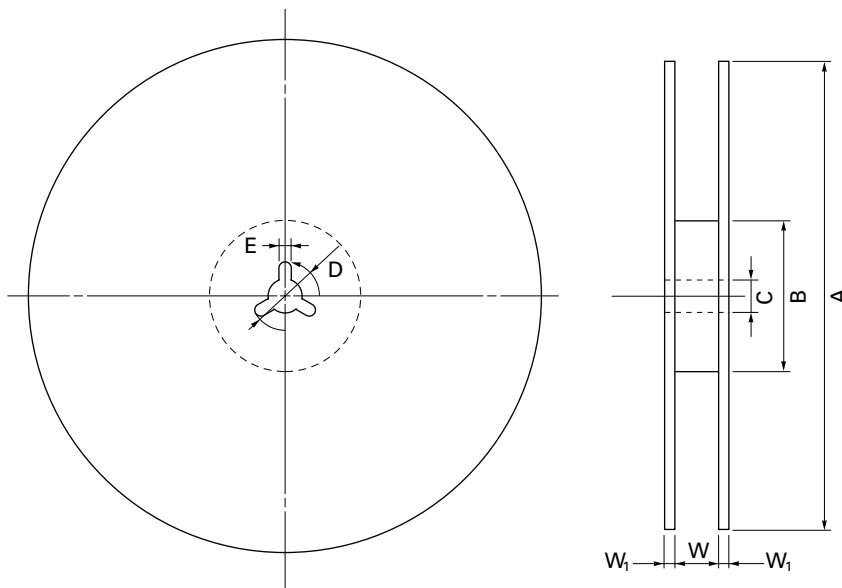
Tape Dimensions



(Unit :mm)

Symbol	Specification
A_0	9.2
B_0	13.8
K_0	1.65
W	24 ± 0.3
F	11.5 ± 0.1
E	1.75 ± 0.1
P	12 ± 0.1
P_2	2 ± 0.1
P_0	4 ± 0.1
D_0	$1.5_{-0}^{+0.1}$
T	0.3
D_1	2.0 MIN.

Reel Dimensions



1,000 reel (Unit :mm)

Symbol	Specification
A	$\phi 254 \pm 2.0$
B	$\phi 100$
C	$\phi 13 \pm 0.2$
D	$\phi 21 \pm 0.8$
E	2 ± 0.5
W	25.4
W_1	2.0 ± 0.5

2,000 reel (Unit :mm)

Symbol	Specification
A	$\phi 330 \pm 2.0$
B	$\phi 100$
C	$\phi 13 \pm 0.2$
D	$\phi 21 \pm 0.8$
E	2 ± 0.5
W	25.4
W_1	2.0 ± 0.5

Applied Package	Quantity (pcs)
28-pin Plastic TSOP(I) (8×13.4)	MAX. 1,000, 2,000
32-pin Plastic TSOP(I) (8×13.4)	