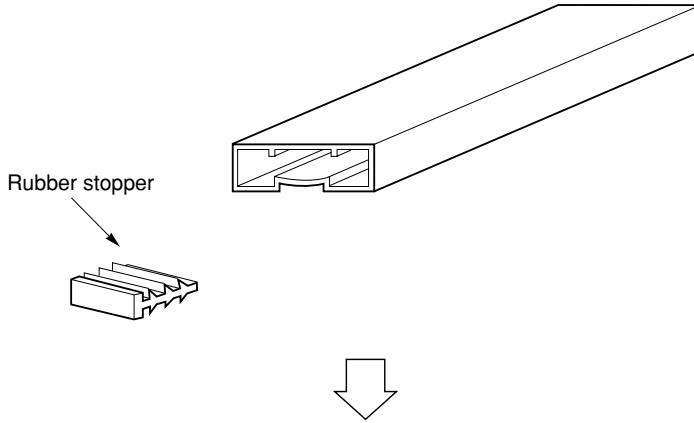
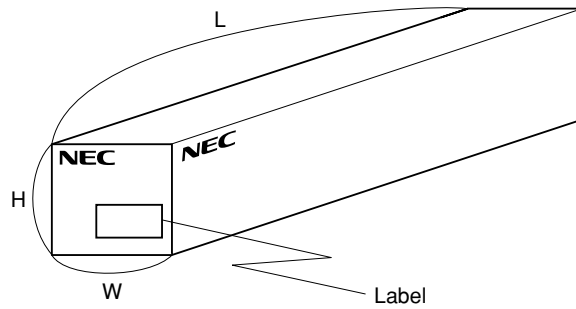


# TUBE PACKING

## 1. CONTAINER



## 2. INNER BOX



LABEL	PRODUCT NAME, QUANTITY, LOT NUMBER, CLASS
-------	---

CONTAINER			INNER BOX		
Applied Package	Tube	Quantity (pcs) /tube	Dimension (mm) (W×H×L)	Quantity (pcs) /box	Note
8-pin Plastic SOP	MM225-1A	100 MAX.	125×85×540	10,000 MAX.	Polyethylene bag (50 tubes / bag) Aluminum laminated dry bag (50 tubes / bag)
14-pin Plastic SOP		50 MAX.		5,000 MAX.	
14-pin Plastic Shrink SOP		100 MAX.		10,000 MAX.	
16-pin Plastic SOP		50 MAX.		5,000 MAX.	
16-pin Plastic Shrink SOP		100 MAX.		10,000 MAX.	
20-pin Plastic Shrink SOP		76 MAX.		7,600 MAX.	