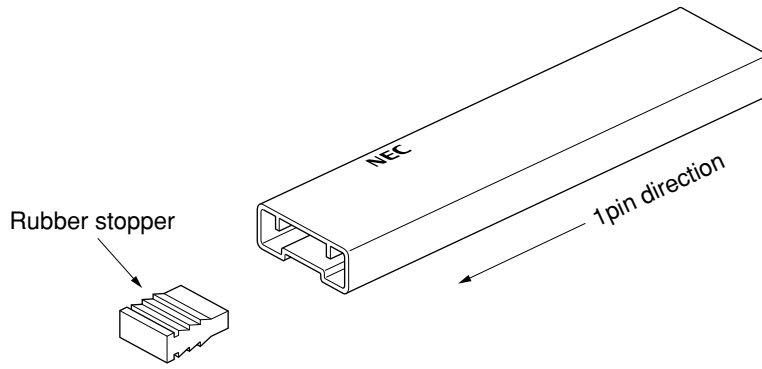
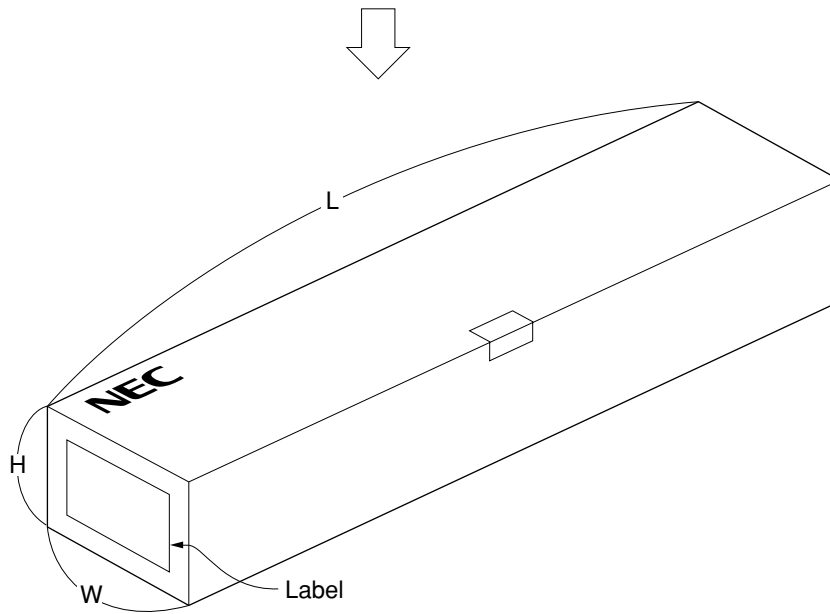


TUBE PACKING

1. CONTAINER



2. INNER BOX



| | |
|-------|---|
| LABEL | PRODUCT NAME, QUANTITY, LOT NUMBER, CLASS |
|-------|---|

| CONTAINER | | | INNER BOX | | |
|---------------------------|--------------------|----------------|---------------------------|-----------------|--|
| Applied package | Tube | Quantity (pcs) | Dimension(mm) (W × H × L) | Quantity (Tube) | Note |
| 24-pin·Plastic SOP | PB-99 MM300-05A | MAX. 30 | 125 × 85 × 540 | MAX. 100 | Polyethylene bag (50 tubes / bag × 2) |
| 36-pin·Plastic Shrink SOP | | | | | Aluminum laminated dry bag (50 tubes / bag × 2) |