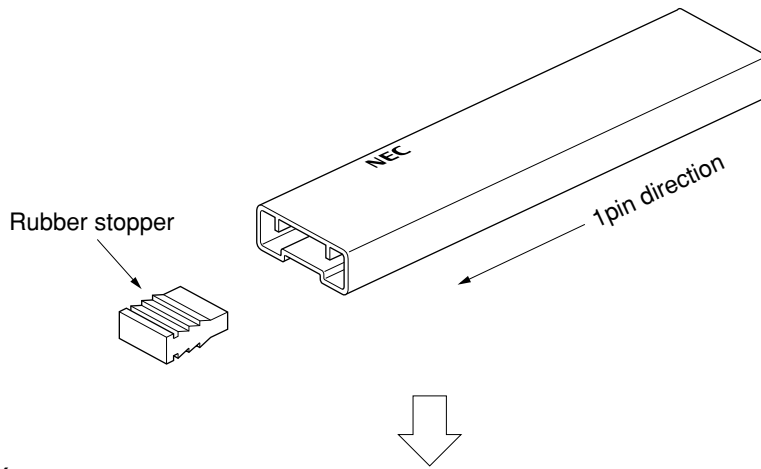
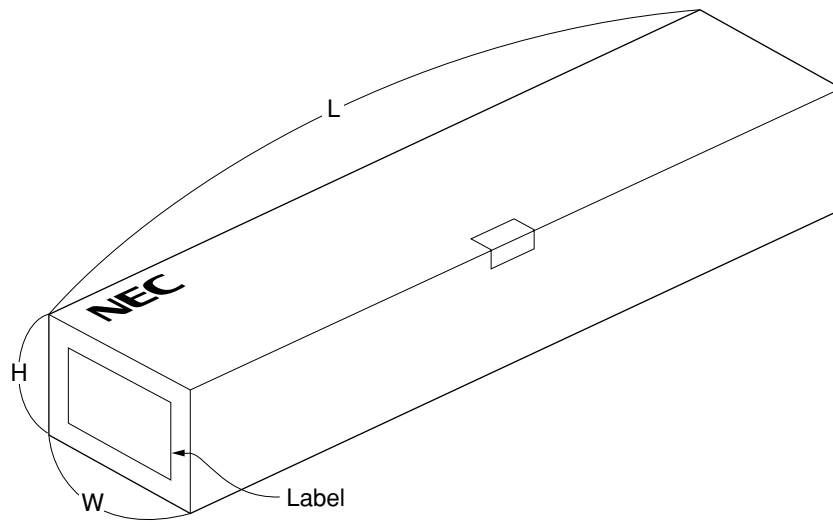


TUBE PACKING

1. CONTAINER



2. INNER BOX



LABEL	PRODUCT NAME, QUANTITY, LOT NUMBER, CLASS
-------	---

CONTAINER			INNER BOX		
Applied package	Tube	Quantity (pcs)	Dimension(mm) (W × H × L)	Quantity (tube)	Note
20-pin·Plastic SSOP	MM300-1A	MAX. 75	125 × 85 × 540	MAX. 100	Polyethylene bag (50 tubes / bag × 2) Aluminum laminated dry bag (50 tubes / bag × 2)
24-pin·Plastic SSOP		MAX. 60			
30-pin·Plastic SSOP		MAX. 50			
38-pin·Plastic SSOP		MAX. 40			