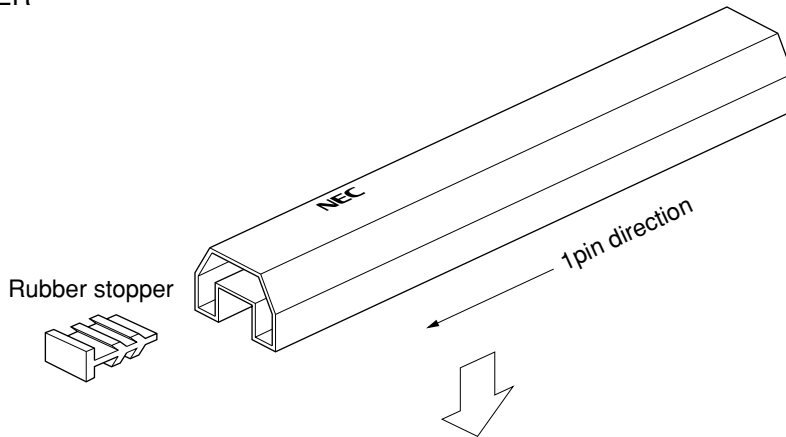
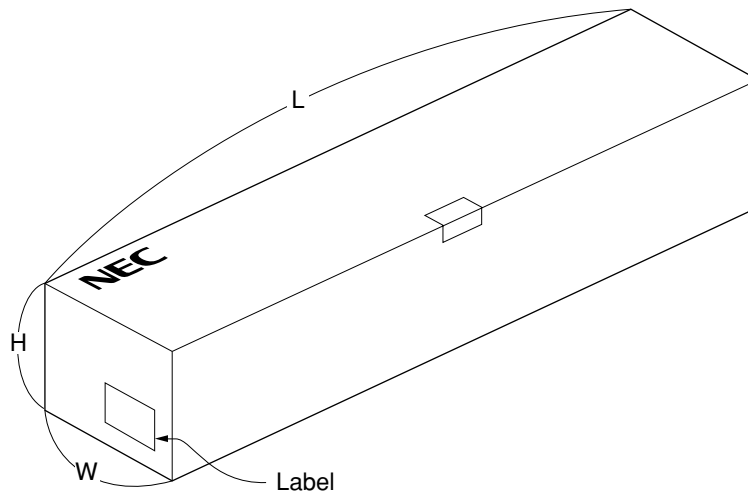


TUBE PACKING

1. CONTAINER



2. INNER BOX



LABEL	PRODUCT NAME, QUANTITY, LOT NUMBER, CLASS
-------	---

CONTAINER			INNER BOX		
Applied Package	Tube	Quantity (pcs)	Dimension(mm) (W × H × L)	Quantity (tube)	Note
8-pin Plastic DIP	MD300-2A	50 MAX.	163 × 135 × 532	100 MAX.	Polyethylene bag (20 tubes / bag × 5)
14-pin Plastic DIP		25 MAX.			
16-pin Plastic DIP		25 MAX.			
18-pin Plastic Shrink DIP		25 MAX.			
20-pin Plastic Shrink DIP		25 MAX.			
14-pin Plastic Shrink DIP	MD300-2A	30 MAX.		100 MAX.	Polyethylene bag (25 tubes / bag × 4)
16-pin Plastic Shrink DIP		30 MAX.			
18-pin Plastic DIP		20 MAX.			
22-pin Plastic Shrink DIP		20 MAX.			
24-pin Plastic Shrink DIP		20 MAX.			