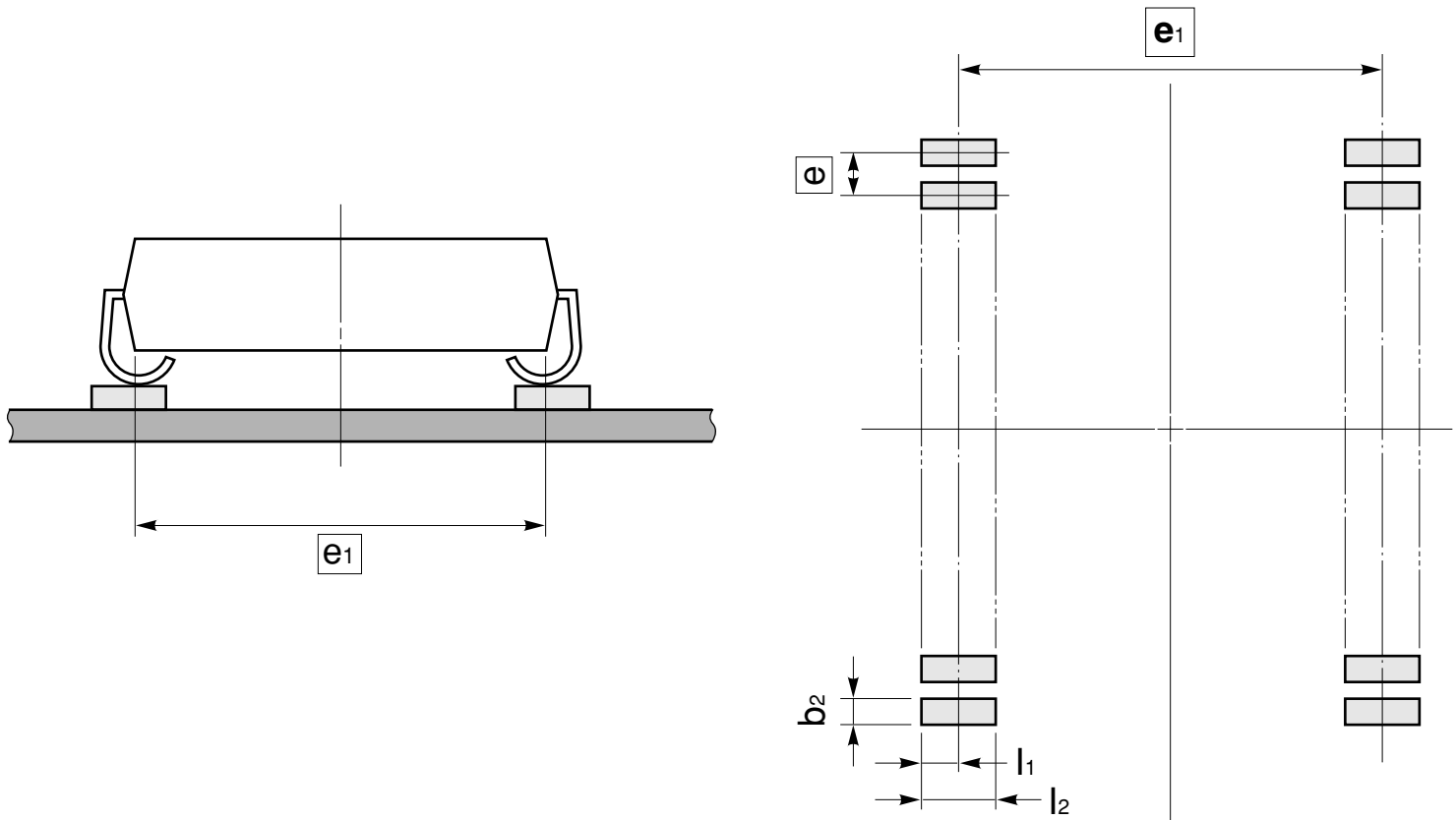


# SOJ LAND PATTERN DIMENSIONS



○ Land Pattern Dimensions

(Unit : mm)

e	1.27	Remark
l <sub>1</sub>	1.2	
l <sub>2</sub>	2.0	
b <sub>2</sub>	0.75	

(The reference value according to EIAJ ED-7406 (discontinued version))