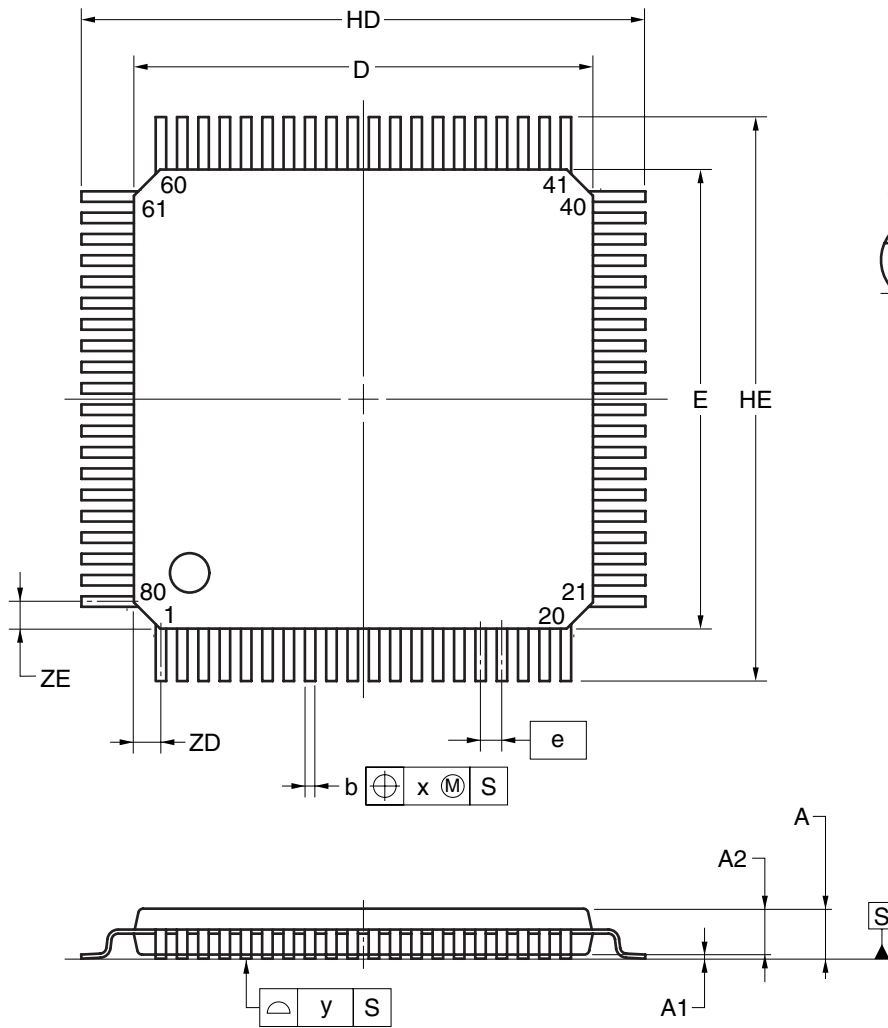


80-PIN PLASTIC LQFP (14x14)



detail of lead end

(UNIT:mm)

ITEM	DIMENSIONS
D	14.00±0.20
E	14.00±0.20
HD	17.20±0.20
HE	17.20±0.20
A	1.70 MAX.
A1	0.125±0.075
A2	1.40±0.05
A3	0.25
b	0.30 ^{+0.08} / _{-0.04}
c	0.125 ^{+0.075} / _{-0.025}
L	0.80
Lp	0.886±0.15
L1	1.60±0.20
θ	3° ^{+5°} / _{-3°}
e	0.65
x	0.13
y	0.10
ZD	0.825
ZE	0.825

NOTE

Each lead centerline is located within 0.13 mm of its true position at maximum material condition.

P80GC-65-GAD