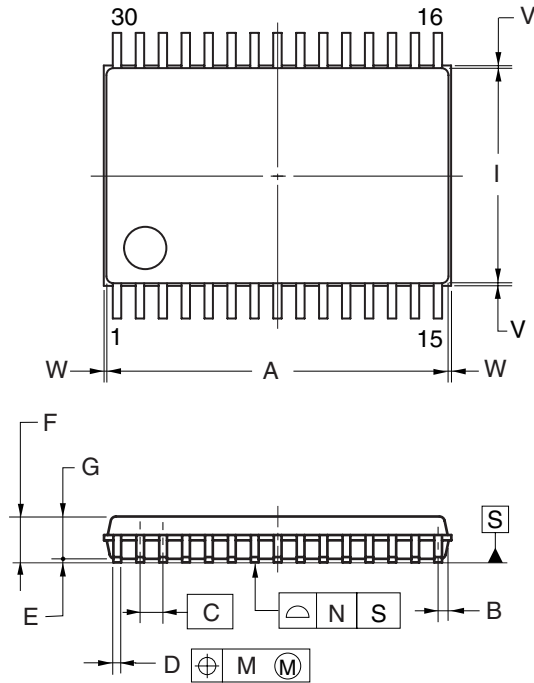
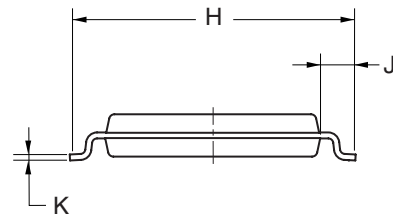
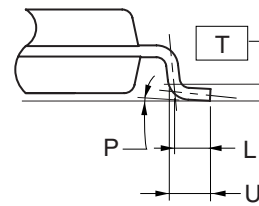


### 30-PIN PLASTIC SSOP (7.62mm (300))



detail of lead end



(UNIT:mm)

| ITEM | DIMENSIONS                             |
|------|--|
| A    | 9.70±0.10                              |
| B    | 0.30                                   |
| C    | 0.65 (T.P.)                            |
| D    | 0.22 <sup>+0.10</sup> <sub>-0.05</sub> |
| E    | 0.10±0.05                              |
| F    | 1.30±0.10                              |
| G    | 1.20                                   |
| H    | 8.10±0.20                              |
| I    | 6.10±0.10                              |
| J    | 1.00±0.20                              |
| K    | 0.15 <sup>+0.05</sup> <sub>-0.01</sub> |
| L    | 0.50                                   |
| M    | 0.13                                   |
| N    | 0.10                                   |
| P    | 3° <sup>+5°</sup> <sub>-3°</sub>       |
| T    | 0.25(T.P.)                             |
| U    | 0.60±0.15                              |
| V    | 0.25 MAX.                              |
| W    | 0.15 MAX.                              |

P30MC-65-CAB

#### NOTE

Each lead centerline is located within 0.13 mm of its true position (T.P.) at maximum material condition.