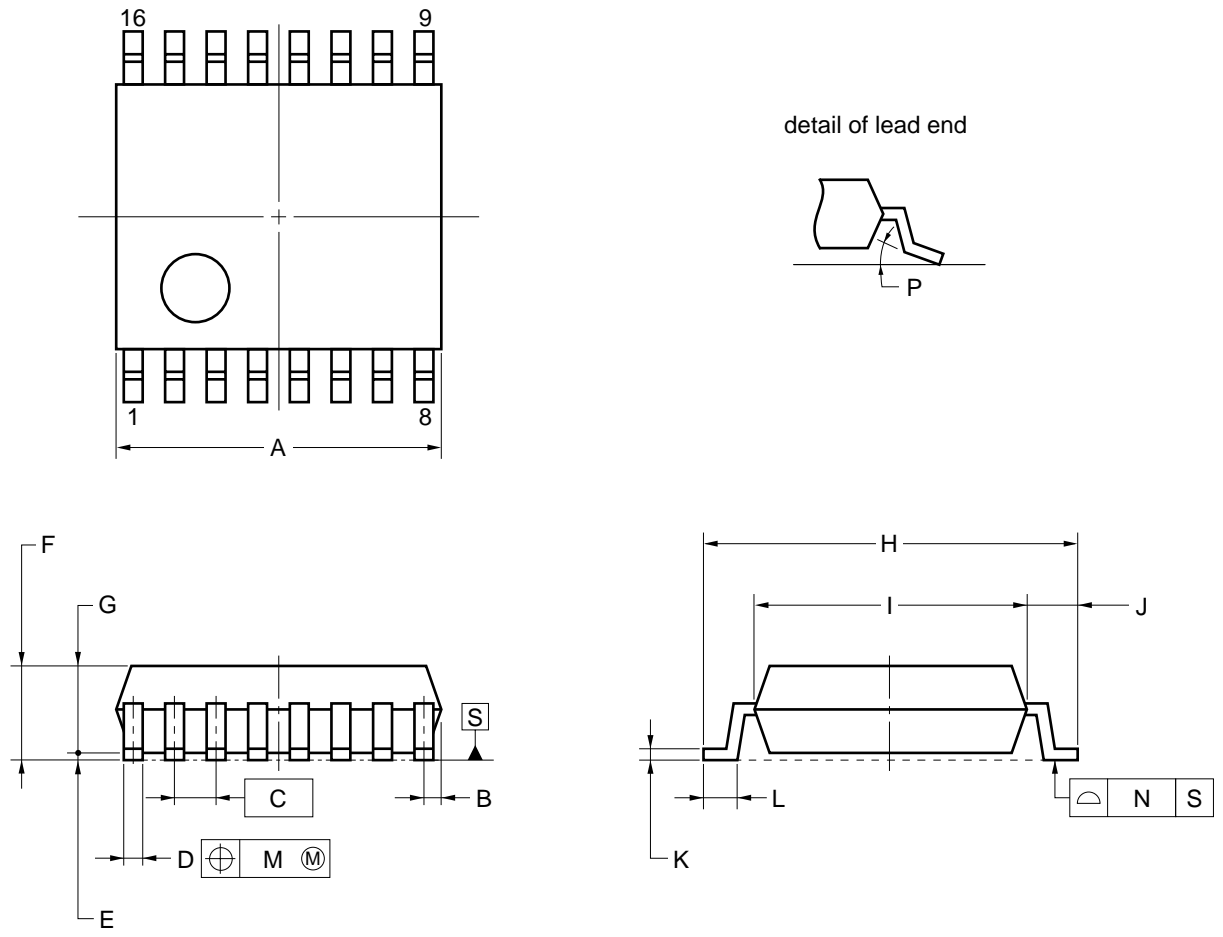


# 16-PIN PLASTIC SSOP (5.72 mm (225))



**NOTE**  
 Each lead centerline is located within 0.10 mm of its true position (T.P.) at maximum material condition.

| ITEM | MILLIMETERS                            |
|------|----------------------------------------|
| A    | 5.2±0.3                                |
| B    | 0.475 MAX.                             |
| C    | 0.65 (T.P.)                            |
| D    | 0.22±0.08                              |
| E    | 0.125±0.075                            |
| F    | 1.565±0.235                            |
| G    | 1.44                                   |
| H    | 6.2±0.3                                |
| I    | 4.4±0.2                                |
| J    | 0.9±0.2                                |
| K    | 0.17 <sup>+0.08</sup> <sub>-0.07</sub> |
| L    | 0.5±0.2                                |
| M    | 0.10                                   |
| N    | 0.10                                   |
| P    | 5°±5°                                  |

**P16GM-65-225B-5**