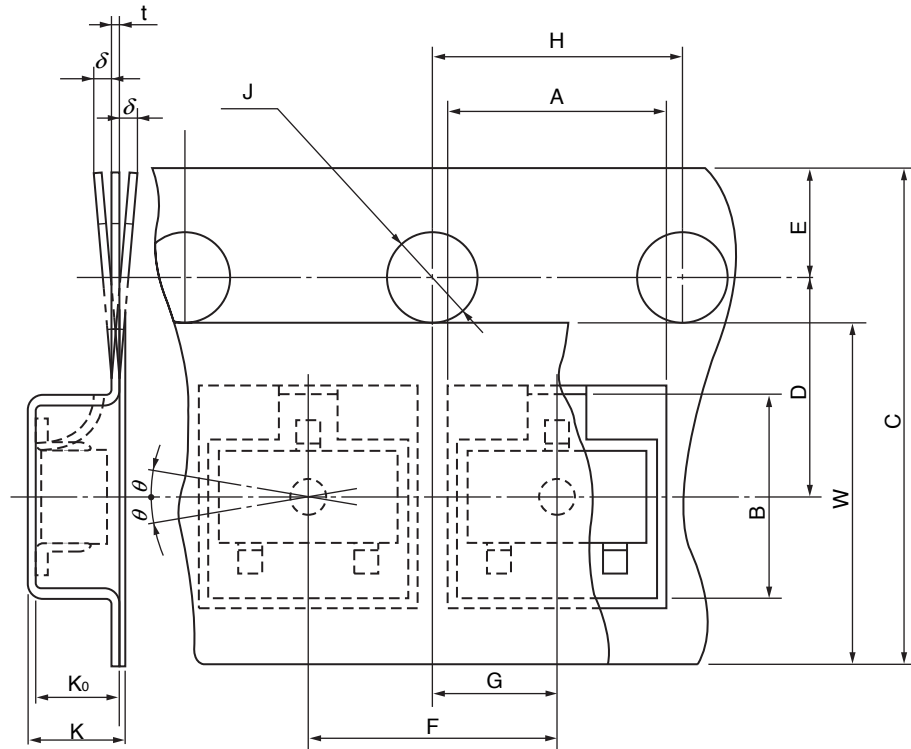


SC-70 (SSP)



UNIT : mm

ITEM	SYMBOL	SIZE	REMARKS	
Pocket	Length	A	2.3±0.1	
	Width	B	2.6±0.1	
	Depth	K ₀	1.2±0.1	
	Pitch	F	4.0±0.1	Accumulative Tolerance $\begin{matrix} +0.1 \\ -0.3 \end{matrix}$ MAX./10 Pitch
Perforation	Diameter	J	$\phi 1.5 \begin{matrix} +0.1 \\ -0 \end{matrix}$	
	Pitch	H	4.0±0.1	Accumulative Tolerance $\begin{matrix} +0.1 \\ -0.3 \end{matrix}$ MAX./10 Pitch
	Position	E	1.75±0.1	
Distance Between Center-lines	Length Direction	G	2.0±0.05	
	Width Direction	D	3.5±0.05	
Cover Tape	Width	W	5.5±0.1	Thickness : 0.1 MAX.
Carrier Tape	Width	C	8.0±0.2	Bend : $\delta = 0.3$ MAX.
	Thickness	t	0.2±0.05	
Device	Outline	Outline		
	Tilt	θ	30° MAX.	
Overall Thickness	K	1.45 MAX.		