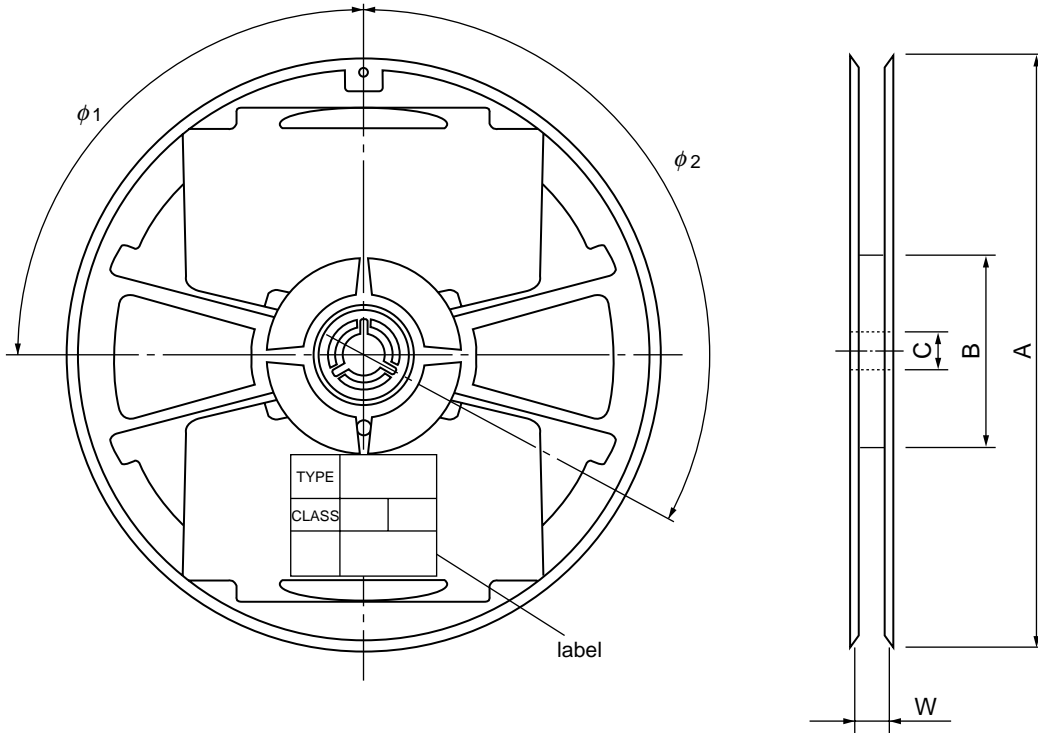


SC-78 (USM), SC-75 (USM)
SC-76 (SSP), SC-70 (SSP), SC-88/SC-88A (SSP)
SC-59 (Mini Mold), SC-74/SC-74A (Mini Mold)
SC-95 (Mini Mold Thin Type), SC-96 (Mini Mold Thin Type)
6PIN WSOF (1620)



UNIT: mm

ITEM		SYMBOL	SIZE	REMARKS
Flange	Diameter	A	$\phi 178 \pm 2$	
	Space Between Flanges	W	9 ± 0.5	
Hub	Outer Diameter	B	$\phi 60 \pm 1$	
	Slit Location	$\theta 1$	90°	
	Spindle Diameter	C	$\phi 13 \pm 0.5$	
	Key Slit Location	$\theta 2$	120°	
Marking				Type no., quantity and lot code are marked or labeled.