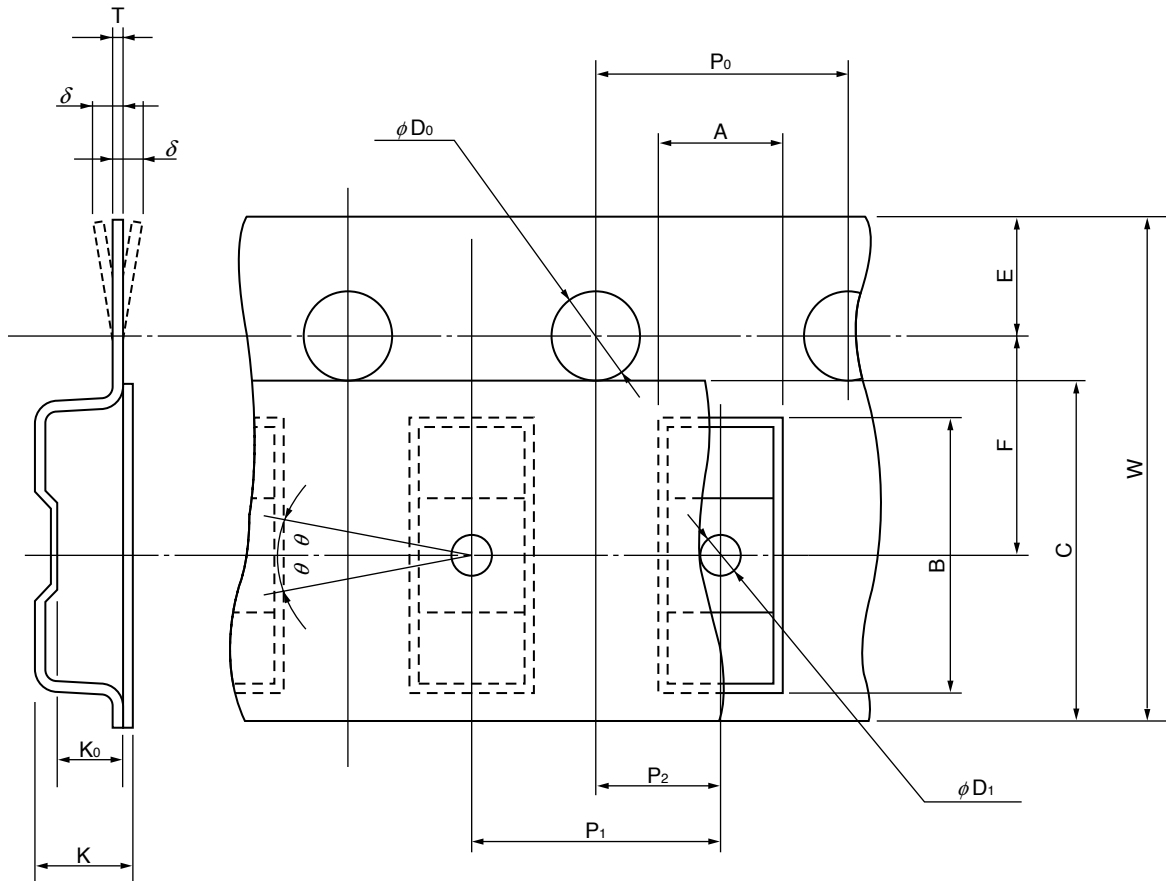


SC-76 (SSP)



UNIT:mm

ITEM		SYMBOL	SIZE	REMARKS
Depression Angular Hole for Device Insertion	Width	A	1.55±0.1	Opening Size
	Length	B	3.05±0.1	Opening Size
	Depth	K ₀	1.0±0.1	Inner Space
	Pitch	P ₁	4.0±0.1	Accumulative Pitch $\begin{matrix} +0.1 \\ -0.3 \end{matrix}$ MAX./10 Pitch
Air Hole	Diameter	φ D ₁	φ 1.05±0.1	
Round Hole for Feeding	Diameter	φ D ₀	φ 1.5 $\begin{matrix} +0.1 \\ -0 \end{matrix}$	
	Pitch	P ₀	4.0±0.1	Accumulative Pitch $\begin{matrix} +0.1 \\ -0.3 \end{matrix}$ MAX./10 Pitch
	Position	E	1.75±0.1	
Distance Between Center-lines	Cross Direction	P ₂	2.0±0.05	
	Cross Direction	F	3.5±0.05	
Cover Tape	Width	C	5.5 $\begin{matrix} +0.3 \\ -0 \end{matrix}$	Thickness : 0.1 MAX.
Carrier Tape	Width	W	8.0±0.2	Warpage δ : 0.3 MAX.
	Thickness	T	0.2±0.05	
Device	Inclination	θ	30° MAX.	
Total Thickness		K	1.25 MAX.	