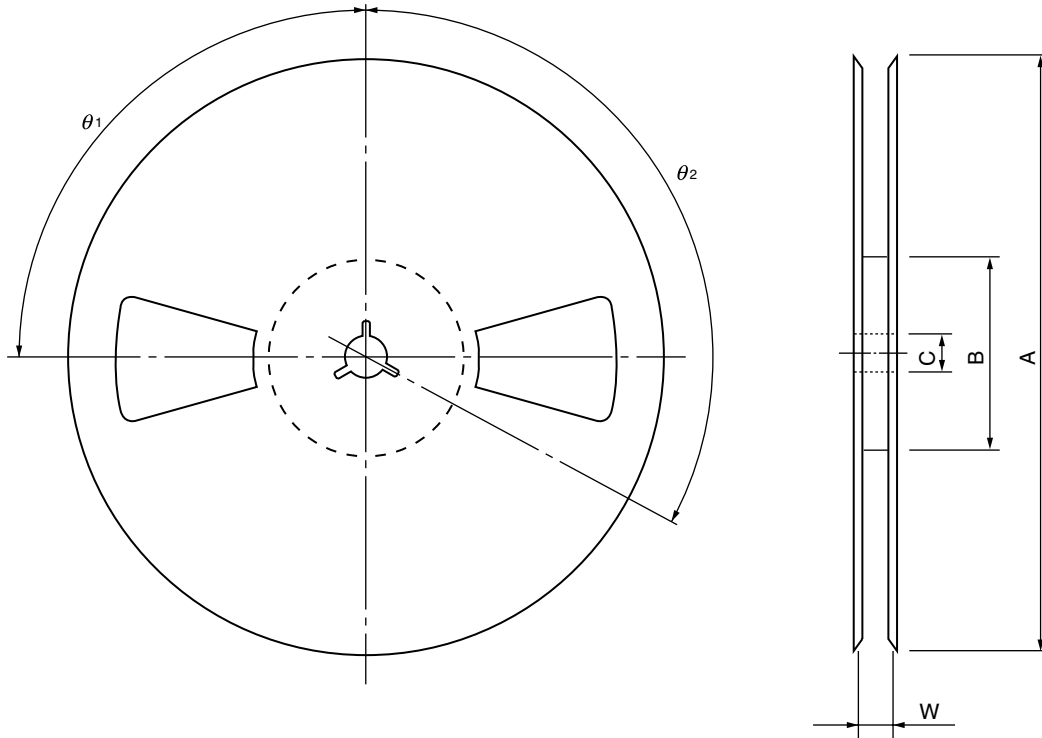


SC-59 (Mini Mold), SC-70 (SSP)
 SC-74/SC-74A (Mini Mold)
 SC-75 (USM)
 SC-88/SC-88A (SSP)
 SC-89 (TUSM)
 SC-95 (Mini Mold Thin Type)
 SC-96 (Mini Mold Thin Type)
 3pXSOF (0814)
 3pXSOF03 (0812)
 4pXLP04 (1006)
 6 PIN WSOF (1620)



UNIT : mm

ITEM		SYMBOL	SIZE	REMARKS
Flange	Diameter	A	178±2	
	Space Between Flanges	W	9±0.5	
Hub	Outer Diameter	B	60±1	
	Slit Location	θ_1	90°	
	Spindle Hole Diameter	C	13±0.5	
	Key Slit Location	θ_2	120°	
Marking				Type no., quantity and lot code are marked or labeled.